

*Gig***BAR** MOVE + ILS

User Manual - US Version



LASER LIGHT
AVOID DIRECT EYE EXPOSURE
CLASS 3R LASER PRODUCT
CLASSIFIED PER EN/IEC 60825-1: 2014
Complies with FDA performance standards for
laser products except for deviations pursuant
to Laser Notice No. 56, dated May 8, 2019.




CHAUVET **3**

TABLE OF CONTENTS

1. Before You Begin	2
What Is Included	2
Unpacking Instructions	2
Text Conventions	2
Symbols	2
Safety Notes	3
FCC Statement of Compliance	3
RF Exposure Warning for North America and Australia	3
Laser Data	4
Laser Safety Label Reproduction	4
Laser Emission Data	4
Laser Compliance Statement	4
2. Introduction	5
Product Overview	5
Product Dimensions	6
3. Setup	7
AC Power	7
Fuse Replacement	7
Power Linking	7
ILS Connection	7
Mounting	8
Orientation	8
Rigging	8
Proper Usage	8
4. Operation	9
Control Panel Operation	9
Menu Map	9
Standalone Configuration	12
Automatic Mixed Effect Mode	12
Sound-Active Mixed Effect Mode	12
Sound Sensitivity	12
Dimmer	12
Strobe	13
Program Time	13
Pars Color	13
Spot Speed	13
Sound Lost	13
Pan Reverse	14
Tilt Reverse	14
Pan Range	14
Tilt Range	14
Factory Reset	14
DMX Configuration	15
Starting Address	15
DMX Channel Assignments and Values	16
51-Channel	16
29-Channel	20
3-Channel	22
Gobos	23
Laser Patterns	23
Wireless Footswitch	24
Footswitch Operation	24
GigBAR RF Remote Control	25
Master/Slave Mode	27
5. Maintenance	28
Product Maintenance	28
6. Technical Specifications	29
Contact Us	31
Warranty & Returns	31

Edition Notes

The GigBAR MOVE + ILS User Manual includes a description, safety precautions, installation, programming, operation, and maintenance instructions for the GigBAR MOVE + ILS as of the release date of this edition.

Trademarks

Chauvet, Chauvet DJ, the Chauvet logo, and GigBAR are registered trademarks or trademarks of Chauvet & Sons, LLC (d/b/a Chauvet and Chauvet Lighting) in the United States and other countries. Other company and product names and logos referred to herein may be trademarks of their respective companies.

Copyright Notice

The works of authorship contained in this manual, including, but not limited to, all designs, text, and images are owned by Chauvet.

© Copyright 2023 Chauvet & Sons, LLC. All rights reserved.

Electronically published by Chauvet in the United States of America.

Manual Use

Chauvet authorizes its customers to download and print this manual for professional information purposes only. Chauvet expressly prohibits the usage, copy, storage, distribution, modification, or printing of this manual or its content for any other purpose without written consent from Chauvet.

Document Printing

For best results, print this document in color, on letter size paper (8.5 x 11 in), double-sided. If using A4 paper (210 x 297 mm), configure the printer to scale the content accordingly.

Intended Audience

Any person installing, operating, and/or maintaining this product should completely read through the guide that shipped with the product, as well as this manual, before installing, operating, or maintaining this product.

Disclaimer

Chauvet believes that the information contained in this manual is accurate in all respects. However, Chauvet assumes no responsibility and specifically disclaims any and all liability to any party for any loss, damage, or disruption caused by any errors or omissions in this document, whether such errors or omissions result from negligence, accident, or any other cause. Chauvet reserves the right to revise the content of this document without any obligation to notify any person or company of such revision; however, Chauvet has no obligation to make, and does not commit to make, any such revisions.

Document Revision

Go to www.chauvetdj.com for the latest version.

Revision	Date	Description
9	11/2023	Added Edition Notes page; updated DMX charts to add laser pattern control for 29CH and 51CH personalities; updated back panel hardware and mounting diagram

1. Before You Begin

What Is Included

- GigBAR MOVE + ILS
- Power cord
- RF remote
- Carrying bag
- Tripod
- Tripod carrying bag
- Footswitch
- User manual

Unpacking Instructions

Carefully unpack the product immediately and check the container to make sure all the parts are in the package and are in good condition.

Claims





If the box or the contents (the product and included accessories) appear damaged from shipping, or show signs of mishandling, notify the carrier immediately, not Chauvet. Failure to report damage to the carrier immediately may invalidate a claim. In addition, keep the box and contents for inspection.

For other issues, such as missing components or parts, damage not related to shipping, or concealed damage, file a claim with Chauvet within 7 days of delivery.

Text Conventions

Convention	Meaning
1–512	A range of values
50/60	A set of values of which only one can be chosen
Settings	A menu option not to be modified
<ENTER>	A key to be pressed on the product's control panel
ON	A value to be entered or selected

Symbols

Symbol	Meaning
	Critical installation, configuration, or operation information. Not following these instructions may make the product not work, cause damage to the product, or cause harm to the operator.
	Important installation or configuration information. The product may not function correctly if this information is not used.
	Useful information.
	Laser safety information.

Safety Notes

These Safety Notes include important information about installation, use, and maintenance of the GigBAR MOVE + ILS.



- **ALWAYS:**

- ◆ Connect to a grounded circuit.
- ◆ Connect to operating voltages as specified on the product's spec sticker.
- ◆ Disconnect from power before replacing the fuse.
- ◆ Disconnect from its power source during periods of inactivity.
- ◆ Use a safety cable when suspending overhead.
- ◆ Heed all restrictions and warnings on the spec sticker.
- ◆ Mount in a location with at least 20 in (50 cm) of ventilation.
- ◆ Replace the fuse with the same type and rating.

- In the event of a serious operating problem, stop using immediately.

- **DO NOT:**

- ◆ Open this product or attempt any repairs. It contains no user-serviceable parts.
- ◆ Look at the light source when the product is on.
- ◆ Use if the power cable is crimped or damaged.
- ◆ Disconnect by pulling on the power cable.
- ◆ Allow flammable materials close to the product when it is operating.
- ◆ Touch the housing when it is on.
- ◆ Block any ventilation holes/slots in the housing.
- ◆ Connect to a dimmer or rheostat.
- ◆ Carry the product by its power cable.
- ◆ Operate in temperatures higher than 104°F (40°C).
- ◆ Expose to environments that exceed the Ingress Protection (IP) rating.
- ◆ Expose to rain or moisture.
- ◆ Use outdoors.
- ◆ Submerge.
- ◆ Leave outdoors for extended periods of time.
- ◆ Expose to corrosive environmental conditions such as temperature, humidity, salinity, pressure, radiation, or shock.
- ◆ Set this product on a flammable surface.



FCC Statement of Compliance

This device complies with Part 15 Part B of the FCC rules. Operation is subject to the following two conditions:

1. This device may not cause harmful interference, and
2. This device must accept any interference received, including interference that may cause undesired operation.

This equipment has been tested and found to comply with the limits for a Class B digital device, pursuant to Part 15 of the FCC Rules. These limits are designed to provide reasonable protection against harmful interference in a residential installation. This equipment generates uses and can radiate radio frequency energy and, if not installed and used in accordance with the instructions, may cause harmful interference to radio communications. However, there is no guarantee that interference will not occur in a particular installation. If this equipment does cause harmful interference to radio or television reception, which can be determined by turning the equipment off and on, the user is encouraged to try to correct the interference by one or more of the following measures:

- Reorient or relocate the receiving antenna.
- Increase the separation between the equipment and receiver.
- Connect the equipment into an outlet on a circuit different from that to which the receiver is connected.
- Consult the dealer or an experienced radio/TV technician for help.

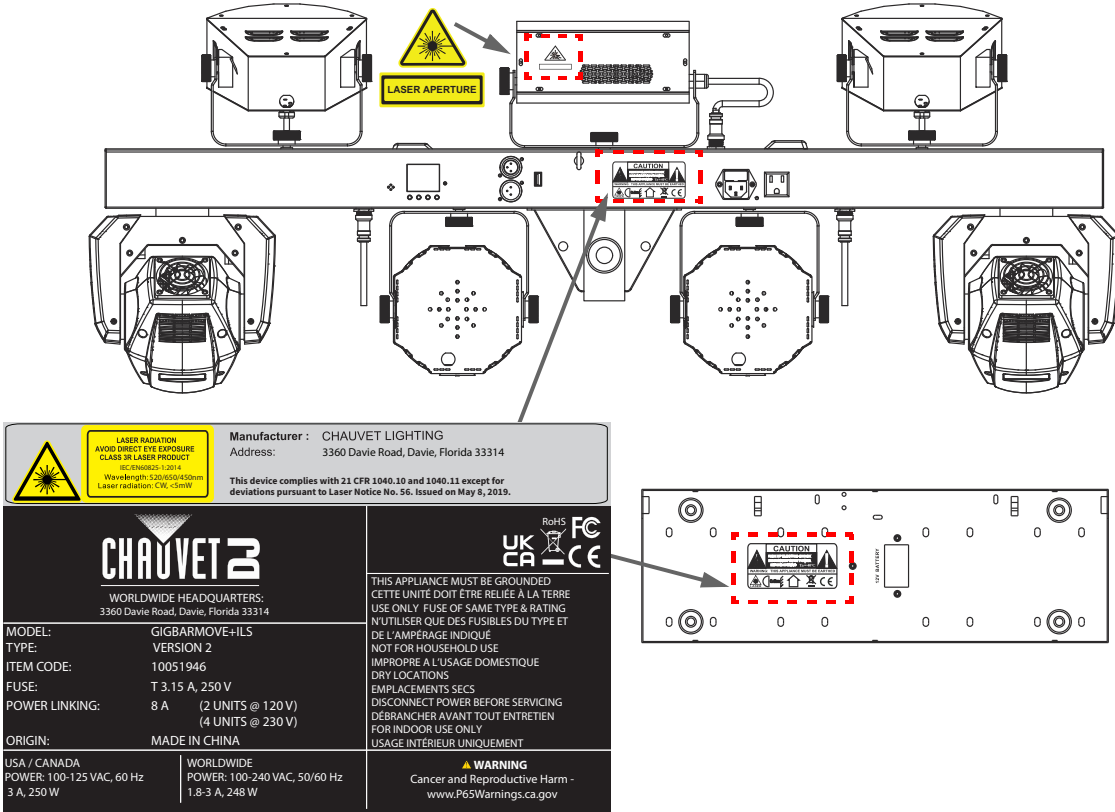
Any changes or modifications not expressly approved by the party responsible for compliance could void the user's authority to operate the equipment.

RF Exposure Warning for North America and Australia

Warning! This equipment complies with FCC radiation exposure limits set forth for an uncontrolled environment. This equipment should be installed and operated with a minimum distance of 20 cm between the radiator and the user. This transmitter must not be co-located or operating in conjunction with any other antenna or transmitter.

Laser Data

Laser Safety Label Reproduction



LASER LIGHT AVOID DIRECT EYE EXPOSURE

Further guidelines and safety programs for safe use of lasers can be found in the ANSI Z136.1 Standard "For Safe Use of Lasers", available from the Laser Institute of America: www.lia.org. Many local governments, corporations, agencies, military, and others, require all lasers to be used under the guidelines of ANSI Z136.1. Laser Display guidance can be obtained via the International Laser Display Association: www.ilda.com.

Laser Emission Data

As measured under IEC measurement conditions for classification.

Laser Classification	Class 3R
Red Laser Medium	LD/638 nm/30 mW
Green Laser Medium	LD/520 nm/20 mW
Blue Laser Medium	LD/450 nm/50 mW
Beam Diameter	<5 mm at aperture
Pulse Data	All pulses < 4 Hz (>0.25 sec)
Divergence (each beam)	<2 mrad
Divergence (total light)	<160 degrees
Laser Power of Each Beam from Aperture*	<5 mW

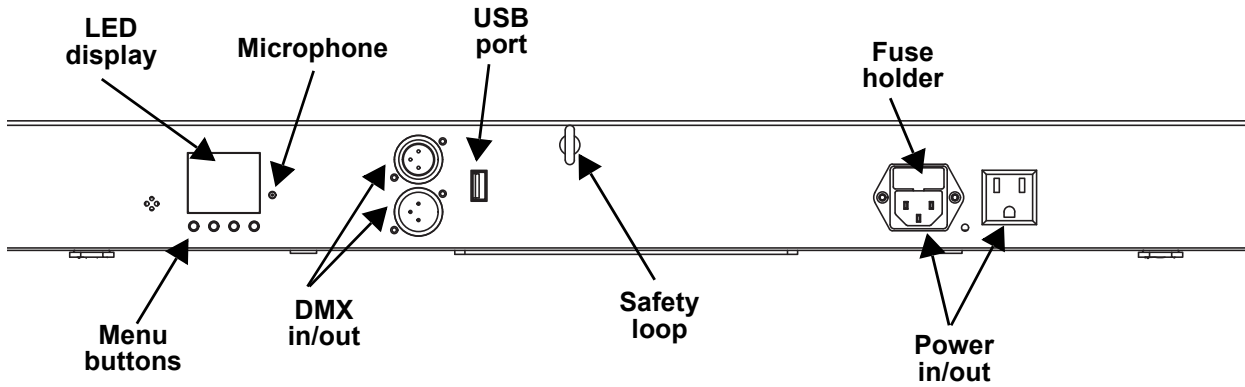
*As measured under IEC measurement conditions for classification.

Laser Compliance Statement

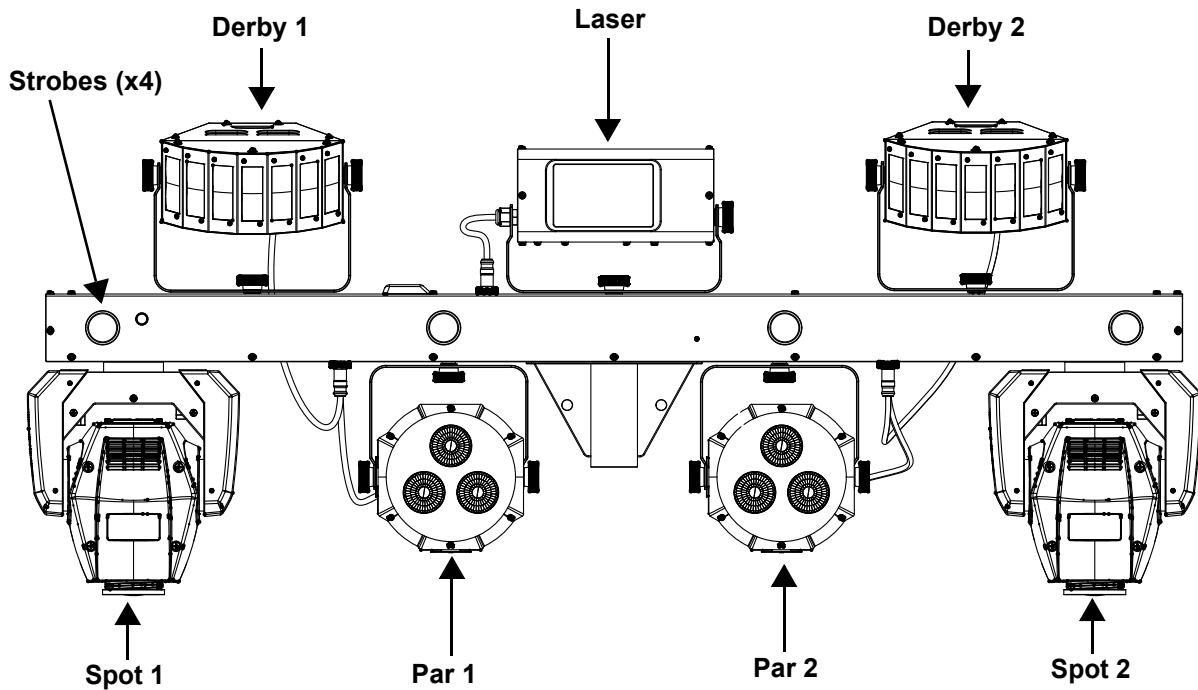
Complies with FDA performance standards for laser products except for deviations pursuant to Laser Notice No. 56, dated May 08, 2019. No maintenance is required to keep this product in compliance with laser performance standards.

2. Introduction Product Overview

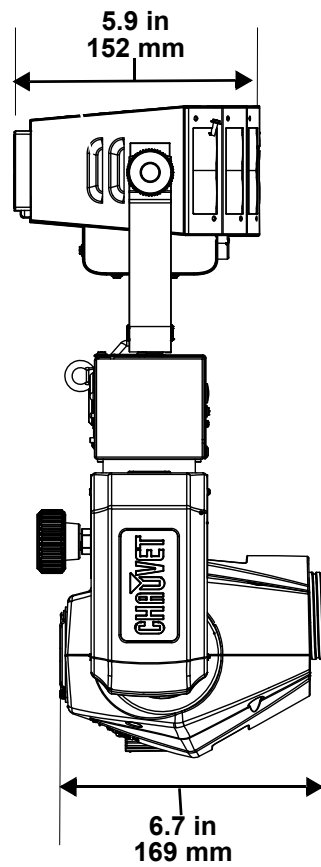
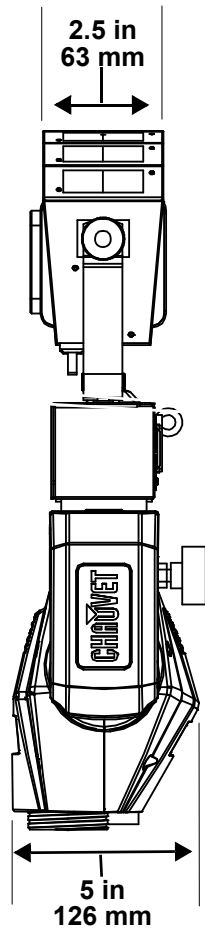
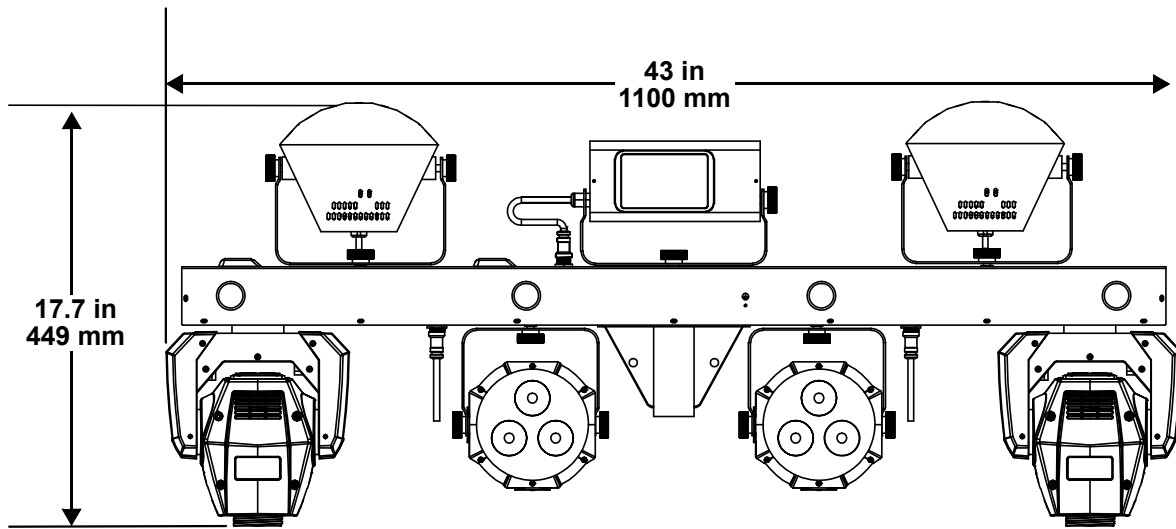
Back Panel View



Front Panel View



Product Dimensions



3. Setup

AC Power

The GigBAR MOVE + ILS has an auto-ranging power supply, and it can work with an input voltage range of 100 to 240 VAC, 50/60 Hz.

To determine the product's power requirements (circuit breaker, power outlet, and wiring), use the current value listed on the label affixed to the product's back panel, or refer to the product's specifications chart. The listed current rating indicates the product's average current draw under normal conditions.



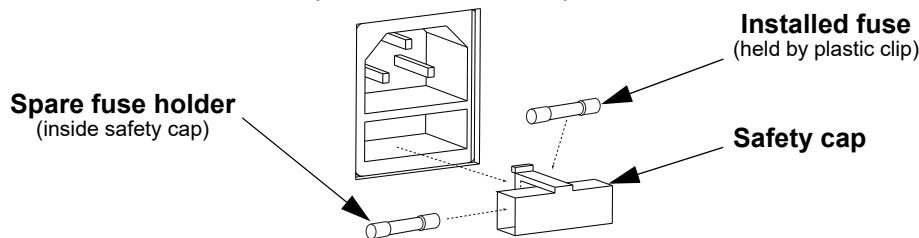
- **Always connect the product to a protected circuit (a circuit breaker or fuse). Make sure the product has an appropriate electrical ground to avoid the risk of electrocution or fire.**
- **To eliminate unnecessary wear and improve its lifespan, during periods of non-use completely disconnect the product from power via breaker or by unplugging it.**



Never connect the product to a rheostat (variable resistor) or dimmer circuit, even if the rheostat or dimmer channel serves only as a 0 to 100% switch.

Fuse Replacement

1. Disconnect the product from power.
2. Wedge the tip of a flat-head screwdriver into the slot of the fuse holder.
3. Pry the fuse holder out of the housing.
4. Remove the blown fuse from the holder and replace with a fuse of the exact same type and rating.
5. Insert the fuse holder back in place and reconnect power.



Disconnect the product from the power outlet before replacing the fuse.

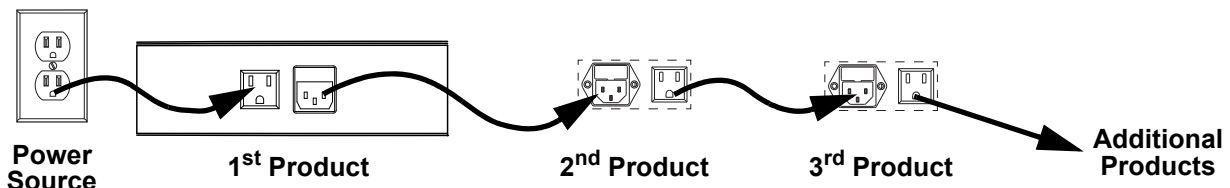


Always replace a blown fuse with one of the same type and rating.

Power Linking

The product provides power linking via the outlet located in the back of the product (see the diagram below for further explanation).

Power-Linking Diagram



It is possible to power link up to 2 GigBAR MOVE + ILS products on 120 VAC or up to 4 GigBAR MOVE + ILS products on 230 VAC.



The power-linking diagram shown above corresponds to the North American version of the product ONLY! If using the product in other markets, consult with the local Chauvet distributor, as power-linking connectors and requirements may differ by country or region.

ILS Connection

ILS (Integrated Lighting System) provides 4 modes that synchronize with the GigBAR MOVE + ILS: Modes 1 and 3 synchronize with side 1 of the GigBAR MOVE + ILS, whereas modes 2 and 4 synchronize with side 2 of the GigBAR MOVE + ILS. When linked, effects will sync with the most similar effect on the selected side of the GigBAR MOVE + ILS: Kinta effects will sync with one of the kintas, moving heads will sync with one of the moving heads, and wash effects will sync with one of the pars. Laser effects will sync with the laser, and strobe effects will sync with the strobe effects regardless of ILS mode.

Mounting

Before mounting the product, read and follow the safety recommendations indicated in the [Safety Notes](#).

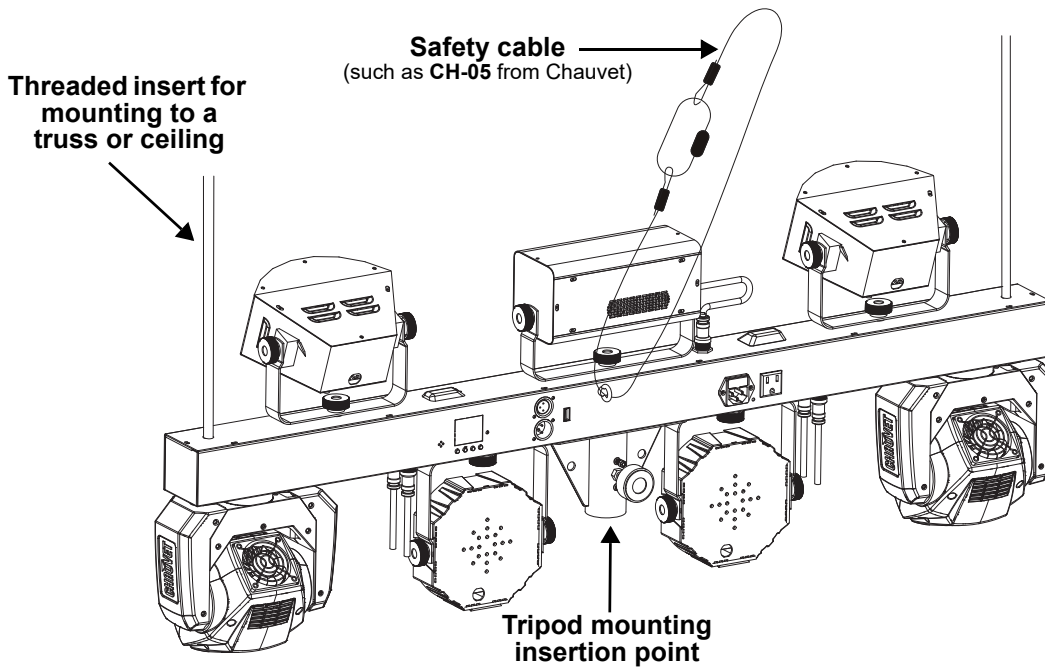
Orientation

The GigBAR MOVE + ILS must be mounted in a position that includes planning for safe laser usage. In addition, make sure adequate ventilation is provided around the product.

Rigging

- Before deciding on a location for the product, always make sure there is easy access to the product for maintenance and programming.
- Make sure that the structure or surface can support the weight before mounting the product (see the [Technical Specifications](#)).
- When mounting the product overhead, always use a safety cable. Mount the product securely to a rigging point, such as an elevated platform or a truss.
- When rigging the product onto a truss, use a mounting clamp of appropriate weight capacity.
- The bracket adjustment knobs allow for directional adjustment when aiming the product to the desired angle. Only loosen or tighten the bracket knobs manually. Using tools could damage the knobs.

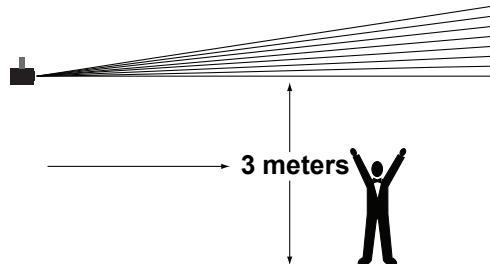
Mounting Diagram



Proper Usage

This product is for overhead mounting only. For safety purposes, Chauvet recommends mounting lighting effect products on steady elevated platforms or sturdy overhead supports using suitable hanging clamps. In all cases, use safety cables. Obtain appropriate mounting hardware from a lighting vendor.

International laser safety regulations require that laser products must be operated in the fashion illustrated below, with a minimum of 3 meters (9.8 ft) of vertical separation between the floor and the lowest laser light. Additionally, 3 meters of horizontal separation is required between laser light and audience or other public spaces.



CAUTION! Use of controls, adjustments, or procedures other than **THOSE** specified IN THIS USER MANUAL may result in hazardous radiation exposure.

4. Operation

This product is not designed for continual use. Make sure there are regular breaks during operation to maximize the life of the lasers. Always disconnect the GigBAR MOVE + ILS from power when not in use.

Control Panel Operation

To access the control panel functions, use the four buttons located underneath the display. Please refer to the [Product Overview](#) to see the button locations on the control panel.

Button	Function
<MENU>	Selects an operation mode or backs out of the current menu option
<UP>	Navigates upwards through the menu list or increases a selected numeric value
<DOWN>	Navigates downwards through the menu list or decreases a selected numeric value
<ENTER>	Activates a menu option or selected value

Menu Map

Refer to the GigBAR MOVE + ILS product page on www.chauvetdj.com for the latest menu map.

Mode	Programming Levels		Description	
AUTO	Program	Mix	1–4	Sets auto mixed effects show
		Spots	1	Selects moving heads auto show
		Strobe	1	Selects strobe auto show
		Laser	1	Selects laser auto show
		Derby	1	Selects derby auto show
		Par	1	Selects pars auto show
		S+SP	1	Selects strobe and moving heads auto show
		L+SP	1	Selects laser and moving heads auto show
		LS	1	Selects laser and strobe auto show
		D+SP	1	Selects derby and moving heads auto show
		DS	1	Selects derby and strobe auto show
		DL	1	Selects derby and laser auto show
		P+SP	1	Selects pars and moving heads auto show
		PS	1	Selects pars and strobe auto show
		PL	1	Selects pars and laser auto show
		PD	1	Selects pars and derby auto show
		PS+SP	1	Selects pars, strobe, and moving heads auto show
		PL+SP	1	Selects pars, laser, and moving heads auto show
		PLS	1	Selects pars, laser, and strobe auto show
		PD+SP	1	Selects pars, derby, and moving heads auto show
		PDS	1	Selects pars, derby, and strobe auto show
		PDL	1	Selects pars, derby, and laser auto show
		DLS+SP	1	Selects derby, laser, strobe, and moving heads auto show
	PLS+SP	1	Selects pars, laser, strobe, and moving heads auto show	
	PDS+SP	1	Selects pars, derby, strobe, and moving heads auto show	
	PDL+SP	1	Selects pars, derby, laser, and moving heads auto show	
	PDLS	1	Selects pars, derby, laser, and strobe auto show	
	Mode	Snap/Fade		Selects the transition between auto programs
	Speed	0–99		Sets automatic program speed
	Spots XY Speed	0–99		Adjusts the pan and tilt speed of the spots
	Dimmer	0–255		Adjusts the dimmer
	Strobe	0–20		Selects the strobe
	Program Time	1–255 (seconds)		Sets the program time
Pars Color	Tri		The auto program will only use the red, green, and blue colors	
	Quad		The auto program will only use the red, green, blue, and amber colors	
	Hex		The auto program will use all the colors	

Mode	Programming Levels		Description	
SOUND	Program	Mix	1–4	Sets mixed effects to sound mode
		Spots	1	Sets moving heads to sound mode
		Strobe	1	Sets strobe to sound mode
		Laser	1	Sets laser to sound mode
		Derby	1	Sets derby to sound mode
		Par	1	Sets pars to sound mode
		S+SP	1	Sets strobe and moving heads to sound mode
		L+SP	1	Sets laser and moving heads to sound mode
		LS	1	Sets laser and strobe to sound mode
		D+SP	1	Sets derby and moving heads to sound mode
		DS	1	Sets derby and strobe to sound mode
		DL	1	Sets derby and laser to sound mode
		P+SP	1	Sets pars and moving heads to sound mode
		PS	1	Sets pars and strobe to sound mode
		PL	1	Sets pars and laser to sound mode
		PD	1	Sets pars and derby to sound mode
		PS+SP	1	Sets pars, strobe, and moving heads to sound mode
		PL+SP	1	Sets pars, laser, and moving heads to sound mode
		PLS	1	Sets pars, laser, and strobe to sound mode
		PD+SP	1	Sets pars, derby, and moving heads to sound mode
	PDS	1	Sets pars, derby, and strobe to sound mode	
	PDL	1	Sets pars, derby, and laser to sound mode	
	DLS+SP	1	Sets derby, laser, strobe, and moving heads to sound mode	
	PLS+SP	1	Sets pars, laser, strobe, and moving heads to sound mode	
	PDS+SP	1	Sets pars, derby, strobe, and moving heads to sound mode	
	PDL+SP	1	Sets pars, derby, laser, and moving heads to sound mode	
	PDLS	1	Sets pars, derby, laser, and strobe to sound mode	
	Sensitivity	0–99	Sets sound sensitivity	
	Spot Speed	0	Activates sound-active moving heads	
		1–99	Adjusts moving head speed, slow to fast	
	Dimmer	0–255	Adjusts dimmer	
	Strobe	0–20	Selects the strobe	
Program Time	1–255 (seconds)	Sets the program time		
Sound Lost	Slow	The par, derby, laser, and strobe will stop on the last setting. The moving heads, color/gobo will stop on the last setting, and the movement will run slowly.		
	Freeze	The entire bar will freeze on the last setting.		
	Blackout	The entire bar will blackout.		
Pars Color	Tri	The auto program will only use the red, green, and blue colors		
	Quad	The auto program will only use the red, green, blue, and amber colors		
	Hex	The auto program will use all the colors		
Manual Mode	Par Red Par Green Par Blue Par Amber Par White Par UV	0–255	Selects the Par color	
	Derby Red Derby Green Derby Blue Derby White		Selects the Derby color	

Mode	Programming Levels		Description	
Manual Mode	Derby Motor	0–255	Rotates the LED clockwise or counterclockwise	
	Laser		Turns the laser on and off manually	
	Flash Dimmer		Adjusts the dimmer of the white LED	
	Pan		Adjusts the pan angle	
	Tilt		Adjusts the tilt angle	
	Color		Selects the color manually	
	Gobo		Selects the gobo manually	
	Dimmer		Adjusts the brightness	
DMX	DMX	3CH 29CH 51CH	Selects the DMX channel	
	Address	001–510	Sets DMX starting address	
Slave			Sets the fixture on Slave mode	
SETUP	RF	COMMON	Enables control of the fixture using any RF remote	
		BIND	Enables control of the GigBAR MOVE + ILS using only the RF remote paired to the fixture	
		OFF	Turns infrared off	
	RF Binding			Pairs an RF remote to a specific GigBAR MOVE + ILS fixture (Hold and press Blackout button on the RF remote)
	FOOT	COMMON	Enables control of the fixture using any footswitch	
		BIND	Enables control of the GigBAR MOVE + ILS using only the footswitch paired to the fixture	
		OFF	Turns footswitch control off	
	FOOT Binding			Pairs a footswitch to a specific GigBAR MOVE + ILS fixture (Hold and press Blackout pedal on the footswitch)
	DFI	OFF	Disables DFI	
		RX	Enables/disables receiving of DFI signal	
		TX	Enables/disables transmitting of DFI signal	
	DFI CH	1–16	Selects DFI channel	
	Pan1 Reverse	ON	Enables/disables Spot 1 pan reverse	
		OFF		
	Tilt1 Reverse	ON	Enables/disables Spot 1 tilt reverse	
		OFF		
	Pan2 Reverse	ON	Enables/disables Spot 2 pan reverse	
		OFF		
Tilt2 Reverse	ON	Enables/disables Spot 2 tilt reverse		
	OFF			
Pan Ranges	540	540° pan range		
	360	360° pan range		
	180	180° pan range		
Tilt Ranges	270	260° tilt range		
	180	180° tilt range		
	90	90° tilt range		
RESET	NO	Resets to factory defaults		
	YES			



- The DMX value will display in white if not receiving the DMX signal, and will display in yellow if receiving the DMX signal.
- The menu display will turn off if there is no operation within 60 seconds.
- In DMX mode, the fixture will save the last settings when the DMX signal was lost. When in Master/Slave mode, it will blackout when the DMX signal is lost.

Standalone Configuration

Set the product in one of the standalone modes to control without a DMX controller.



Never connect a product that is operating in any standalone mode to a DMX string connected to a DMX controller. Products in standalone mode may transmit DMX signals that could interfere with the DMX signals from the controller.

Automatic Mixed Effect Mode

To run the GigBAR MOVE + ILS in automatic mode, follow the instructions below.

1. Press **<MENU>** to view the main menu on the display.
2. Use **<UP>** or **<DOWN>** until **AUTO** is highlighted.
3. Press **<ENTER>**.
4. Use **<UP>** or **<DOWN>** to select **Program**.
5. Press **<ENTER>**.
6. Use **<UP>** or **<DOWN>** to select from the Auto Program options: **Mix 1–4, Spots, Strobe, Laser, Derby, Par, S+SP, L+SP, LS, D+SP, DS, DL, P+SP, PS, PL, PD, PS+SP, PL+SP, PLS, PD+SP, PDS, PDL, DLS+SP, PLS+SP, PDS+SP, PDL+SP, or PDLS**.
7. Press **<ENTER>**.
8. Use **<UP>** or **<DOWN>** to select **Mode**.
9. Press **<ENTER>**.
10. Use **<UP>** or **<DOWN>** to select between **Snap** (snap transition between programs) and **Fade** (fading transition between programs).
11. Press **<ENTER>**.
12. Use **<UP>** or **<DOWN>** to select **Speed**.
13. Press **<ENTER>**.
14. Use **<UP>** or **<DOWN>** to select to adjust the program speed, from **0–99**.
15. Press **<ENTER>**.

Sound-Active Mixed Effect Mode

To run the GigBAR MOVE + ILS in sound-active mode, do the following:

1. Press **<MENU>** to view the main menu on the display.
2. Use **<UP>** or **<DOWN>** until **SOUND** is selected.
3. Press **<ENTER>**.
4. Use **<UP>** or **<DOWN>** to select **Program**.
5. Press **<ENTER>**.
6. Use **<UP>** or **<DOWN>** to select from the Auto Program options: **Mix 1–4, Spots, Strobe, Laser, Derby, Par, S+SP, L+SP, LS, D+SP, DS, DL, P+SP, PS, PL, PD, PS+SP, PL+SP, PLS, PD+SP, PDS, PDL, DLS+SP, PLS+SP, PDS+SP, PDL+SP, or PDLS**.
7. Press **<ENTER>**.

Sound Sensitivity

To set the sound sensitivity on the GigBAR MOVE + ILS, follow the instructions below:

1. Press **<MENU>** to view the main menu on the display.
2. Use **<UP>** or **<DOWN>** until **SOUND** is selected.
3. Press **<ENTER>**.
4. Use **<UP>** or **<DOWN>** to select **Sensitivity**.
5. Press **<ENTER>**.
6. Use **<UP>** or **<DOWN>** to set the sound sensitivity from **0–99**.
7. Press **<ENTER>**.



- **The product will only respond to low frequencies of music (bass and drums).**
- **The laser will black out when in Sound-Active mode after 3 seconds of silence or noise below the sensitivity setting.**

Dimmer

To adjust the dimmer on the GigBAR MOVE + ILS, do the following:

1. Press **<MENU>** to view the main menu on the display.
2. Use **<UP>** or **<DOWN>** until **AUTO** or **SOUND** is selected.
3. Press **<ENTER>**.
4. Use **<UP>** or **<DOWN>** to select **Dimmer**.
5. Press **<ENTER>**.
6. Use **<UP>** or **<DOWN>** to set the dimmer from **0–255**.
7. Press **<ENTER>**.

Strobe

To set the strobe on the GigBAR MOVE + ILS, follow the instructions below:

1. Press **<MENU>** to view the main menu on the display.
2. Use **<UP>** or **<DOWN>** until **AUTO** or **SOUND** is selected.
3. Press **<ENTER>**.
4. Use **<UP>** or **<DOWN>** to select **Strobe**.
5. Press **<ENTER>**.
6. Use **<UP>** or **<DOWN>** to set the strobe from **0–20**.
7. Press **<ENTER>**.

Program Time

To set the program time on the GigBAR MOVE + ILS, do the following:

1. Press **<MENU>** to view the main menu on the display.
2. Use **<UP>** or **<DOWN>** until **AUTO** or **SOUND** is selected.
3. Press **<ENTER>**.
4. Use **<UP>** or **<DOWN>** to select **Program Time**.
5. Press **<ENTER>**.
6. Use **<UP>** or **<DOWN>** to set the timer from **0–255** (seconds).
7. Press **<ENTER>**.

Pars Color

To set what color the pars will display when set to auto program, follow the instructions below:

1. Press **<MENU>** to view the main menu on the display.
2. Use **<UP>** or **<DOWN>** until **AUTO** or **SOUND** is selected.
3. Press **<ENTER>**.
4. Use **<UP>** or **<DOWN>** to select **Pars Color**.
5. Press **<ENTER>**.
6. Use **<UP>** or **<DOWN>** to select among **Tri** (use RGB), **Quad** (use RGBA), or **Hex** (use all colors).
7. Press **<ENTER>**.

Spot Speed

To manually control the moving head speed in sound-active mode on the GigBAR MOVE + ILS, do the following:

1. Press **<MENU>** to view the main menu on the display.
2. Use **<UP>** or **<DOWN>** until **SOUND** is selected.
3. Press **<ENTER>**.
4. Use **<UP>** or **<DOWN>** to select **Spot Speed**.
5. Press **<ENTER>**.
6. Use **<UP>** or **<DOWN>** to set the moving head speed from **0** (activates sound-active moving heads) or **1–99** (adjusts the speed of the moving head, from slow to fast).
7. Press **<ENTER>**.

Sound Lost

To set what the entire bar will do when sound is lost, follow the instructions below:

1. Press **<MENU>** to view the main menu on the display.
2. Use **<UP>** or **<DOWN>** until **SOUND** is selected.
3. Press **<ENTER>**.
4. Use **<UP>** or **<DOWN>** to select **Sound Lost**.
5. Press **<ENTER>**.
6. Use **<UP>** or **<DOWN>** to choose from **Slow** (the par, derby, laser, and strobe will stop on the last setting, whereas the moving heads and color/gobo will stop on the last setting, and the movement will run slowly), **Freeze** (the entire bar will freeze on the last setting), or **Blackout** (the entire bar will blackout).
7. Press **<ENTER>**.

Operation

Pan Reverse

To manually set the orientation of the pan on the GigBAR MOVE + ILS, do the following:

1. Press **<MENU>** to view the main menu on the display.
2. Use **<UP>** or **<DOWN>** until **SETUP** is selected.
3. Press **<ENTER>**.
4. Use **<UP>** or **<DOWN>** to select **Pan1 Reverse** (for Spot 1) or **Pan2 Reverse** (for Spot 2).
5. Press **<ENTER>**.
6. Use **<UP>** or **<DOWN>** to select **OFF** (normal pan motion) or **ON** (reversed pan motion).
7. Press **<ENTER>**.

Tilt Reverse

To manually set the orientation of the tilt on the GigBAR MOVE + ILS, follow the instructions below:

1. Press **<MENU>** to view the main menu on the display.
2. Use **<UP>** or **<DOWN>** until **SETUP** is selected.
3. Press **<ENTER>**.
4. Use **<UP>** or **<DOWN>** to select **Tilt1 Reverse** (for Spot 1) or **Tilt2 Reverse** (for Spot 2).
5. Press **<ENTER>**.
6. Use **<UP>** or **<DOWN>** to select **OFF** (normal tilt motion) or **ON** (reversed tilt motion).
7. Press **<ENTER>**.

Pan Range

To set the maximum angle of the pan on the GigBAR MOVE + ILS, do the following:

1. Press **<MENU>** to view the main menu on the display.
2. Use **<UP>** or **<DOWN>** until **SETUP** is selected.
3. Press **<ENTER>**.
4. Use **<UP>** or **<DOWN>** to select **Pan Range**.
5. Press **<ENTER>**.
6. Use **<UP>** or **<DOWN>** to set the pan angle from **180** (180°), **360** (360°), or up to **540** (540°).
7. Press **<ENTER>**.

Tilt Range

To set the maximum angle of the tilt on the GigBAR MOVE + ILS, follow the instructions below:

1. Press **<MENU>** to view the main menu on the display.
2. Use **<UP>** or **<DOWN>** until **SETUP** is selected.
3. Press **<ENTER>**.
4. Use **<UP>** or **<DOWN>** to select **Tilt Range**.
5. Press **<ENTER>**.
6. Use **<UP>** or **<DOWN>** to set the tilt angle from **90** (90°), **180** (180°), or up to **270** (270°).
7. Press **<ENTER>**.

Factory Reset

To reset specific functions or the entire product, do the following:

1. Press **<MENU>** to view the main menu on the display.
2. Use **<UP>** or **<DOWN>** until **SETUP** is selected.
3. Press **<ENTER>**.
4. Use **<UP>** or **<DOWN>** to select **RESET**.
5. Press **<ENTER>**.
6. Use **<UP>** or **<DOWN>** to select **YES** (to reset the product configuration) or **NO** (to cancel).
7. Press **<ENTER>**.

DMX Configuration

The GigBAR MOVE + ILS works with a DMX controller. Information about DMX is in the Chauvet DMX Primer, which is available from the Chauvet website:

http://www.chauvetlighting.com/downloads/DMX_Primer_rev05_WO.pdf.

Starting Address

When selecting a starting DMX address, always consider the number of DMX channels the selected DMX mode uses. If the starting address is set too high, access to some of the product's channels could be restricted. The GigBAR MOVE + ILS uses 3 DMX channels, which defines the highest configurable address to **462**. For information about the DMX protocol, download the DMX Primer from www.chauvetdj.com.

To select the starting address, do the following:

1. Press **<MENU>** to view the main menu on the display.
2. Use **<UP>** or **<DOWN>** until **DMX** is highlighted.
3. Press **<ENTER>**.
4. Press **<ENTER>** again.
5. Use **<UP>** or **<DOWN>** to select the DMX Channel: **3CH**, **29CH**, or **51CH**.
6. Press **<ENTER>**
7. Use **<UP>** or **<DOWN>** to select **Address**.
8. Press **<ENTER>**
9. Use **<UP>** or **<DOWN>** to increase or decrease the starting address.
10. Press **<ENTER>**.

DMX Channel Assignments and Values

51-Channel

Channel	Function	Value	Percent/Setting
1	Par 1 control	000 ⇔ 255	Par 1 red, DIM
2		000 ⇔ 255	Par 1 green, DIM
3		000 ⇔ 255	Par 1 blue, DIM
4		000 ⇔ 255	Par 1 amber, DIM
5		000 ⇔ 255	Par 1 white, DIM
6		000 ⇔ 255	Par 1 UV, DIM
7		000 ⇔ 250 251 ⇔ 255	Strobe speed, slow to fast Strobe to sound
8	Par 2 control	000 ⇔ 255	Par 2 red, DIM
9		000 ⇔ 255	Par 2 green, 0–100%
10		000 ⇔ 255	Par 2 blue, 0–100%
11		000 ⇔ 255	Par 2 amber, DIM
12		000 ⇔ 255	Par 2 white, DIM
13		000 ⇔ 255	Par 2 UV, DIM
14		000 ⇔ 250 251 ⇔ 255	Strobe speed, slow to fast Strobe to sound
15	Derby 1 control	000 ⇔ 255	Derby 1 red
16		000 ⇔ 255	Derby 1 green
17		000 ⇔ 255	Derby 1 blue
18		000 ⇔ 255	Derby 1 white
19		000 ⇔ 250 251 ⇔ 255	Strobe speed, slow to fast Strobe to sound
20		000 001 ⇔ 127 128 129 ⇔ 255	Stop Rotate clockwise, slow to fast Stop Rotate counterclockwise, slow to fast
21		Derby 2 control	000 ⇔ 255
22	000 ⇔ 255		Derby 2 green
23	000 ⇔ 255		Derby 2 blue
24	000 ⇔ 255		Derby 2 white
25	000 ⇔ 250 251 ⇔ 255		Strobe speed, slow to fast Strobe to sound
26	000 001 ⇔ 127 128 129 ⇔ 255		Stop Rotate clockwise, slow to fast Stop Rotate counterclockwise, slow to fast
27	Flash		000 ⇔ 255
28		000 ⇔ 255	White LED 2 dimmer
29		000 ⇔ 255	White LED 3 dimmer
30		000 ⇔ 255	White LED 4 dimmer
31		000 ⇔ 250 251 ⇔ 255	Strobe speed, slow to fast Strobe to sound

Channel	Function	Value	Percent/Setting
32	Laser control	000	Blackout
		001 ⇔ 036	Image color
		037 ⇔ 071	Red
		074 ⇔ 107	Green
		111 ⇔ 143	Blue
		148 ⇔ 179	Red + green
		185 ⇔ 215	Red + blue
		222 ⇔ 255	Green + blue
33	Laser patterns	000 ⇔ 255	see Laser Patterns
34	Spot 1 control	000 ⇔ 255	Pan
35		000 ⇔ 255	Fine pan
36		000 ⇔ 255	Tilt
37		000 ⇔ 255	Fine tilt
38		000 ⇔ 255	Pan/tilt speed
		000 ⇔ 006	White
39	Spot 1 color wheel	007 ⇔ 013	Red
		014 ⇔ 020	Orange
		021 ⇔ 027	Yellow
		028 ⇔ 034	Green
		035 ⇔ 041	Blue
		042 ⇔ 048	CTO 400K
		049 ⇔ 055	Cyan
		056 ⇔ 062	Magenta
		063 ⇔ 064	Lime
		065 ⇔ 189	Color index
		190 ⇔ 221	Color scroll clockwise, fast to slow
		222 ⇔ 223	Stop
		224 ⇔ 255	Color scroll counterclockwise, slow to fast

Channel	Function	Value	Percent/Setting
40	Spot 1 gobo wheel (see Gobos)	000 ⇔ 005	Open
		006 ⇔ 011	Gobo 1
		012 ⇔ 017	Gobo 2
		018 ⇔ 023	Gobo 3
		024 ⇔ 029	Gobo 4
		030 ⇔ 035	Gobo 5
		036 ⇔ 041	Gobo 6
		042 ⇔ 047	Gobo 7
		048 ⇔ 053	Gobo 8
		054 ⇔ 063	Gobo 9
		064 ⇔ 069	Gobo 9 shake, slow to fast
		070 ⇔ 075	Gobo 8 shake, slow to fast
		076 ⇔ 081	Gobo 7 shake, slow to fast
		082 ⇔ 087	Gobo 6 shake, slow to fast
		088 ⇔ 093	Gobo 5 shake, slow to fast
		094 ⇔ 099	Gobo 4 shake, slow to fast
		100 ⇔ 105	Gobo 3 shake, slow to fast
		106 ⇔ 111	Gobo 2 shake, slow to fast
112 ⇔ 117	Gobo 1 shake, slow to fast		
118 ⇔ 127	Open		
128 ⇔ 189	Scroll clockwise, slow to fast		
190 ⇔ 193	Stop		
194 ⇔ 255	Scroll counterclockwise, slow to fast		
41	Spot 1 dimmer	000 ⇔ 255	0–100%
42	Spot 1 strobe	000 ⇔ 003	Closed
		004 ⇔ 007	Open
		008 ⇔ 076	Strobe, slow to fast
		077 ⇔ 145	Pulse strobe, slow to fast
		146 ⇔ 215	Random strobe, slow to fast
216 ⇔ 255	Open		
43	Spot 2 control	000 ⇔ 255	Pan
44		000 ⇔ 255	Fine pan
45		000 ⇔ 255	Tilt
46		000 ⇔ 255	Fine tilt
47		000 ⇔ 255	Pan/tilt speed

Channel	Function	Value	Percent/Setting
48	Spot 2 color wheel	000 ⇔ 006	White
		007 ⇔ 013	Red
		014 ⇔ 020	Orange
		021 ⇔ 027	Yellow
		028 ⇔ 034	Green
		035 ⇔ 041	Blue
		042 ⇔ 048	CTO 400K
		049 ⇔ 055	Cyan
		056 ⇔ 062	Magenta
		063 ⇔ 064	Lime
		065 ⇔ 189	Color index
		190 ⇔ 221	Color scroll clockwise, fast to slow
		222 ⇔ 223	Stop
224 ⇔ 255	Color scroll counterclockwise, slow to fast		
49	Spot 2 gobo wheel (see Gobos)	000 ⇔ 005	Open
		006 ⇔ 011	Gobo 1
		012 ⇔ 017	Gobo 2
		018 ⇔ 023	Gobo 3
		024 ⇔ 029	Gobo 4
		030 ⇔ 035	Gobo 5
		036 ⇔ 041	Gobo 6
		042 ⇔ 047	Gobo 7
		048 ⇔ 053	Gobo 8
		054 ⇔ 063	Gobo 9
		064 ⇔ 069	Gobo 9 shake, slow to fast
		070 ⇔ 075	Gobo 8 shake, slow to fast
		076 ⇔ 081	Gobo 7 shake, slow to fast
		082 ⇔ 087	Gobo 6 shake, slow to fast
		088 ⇔ 093	Gobo 5 shake, slow to fast
		094 ⇔ 099	Gobo 4 shake, slow to fast
		100 ⇔ 105	Gobo 3 shake, slow to fast
		106 ⇔ 111	Gobo 2 shake, slow to fast
		112 ⇔ 117	Gobo 1 shake, slow to fast
		118 ⇔ 127	Open
128 ⇔ 189	Scroll clockwise, slow to fast		
190 ⇔ 193	Stop		
194 ⇔ 255	Scroll counterclockwise, slow to fast		
50	Spot 2 dimmer	000 ⇔ 255	0–100%
51	Spot 2 strobe	000 ⇔ 003	Closed
		004 ⇔ 007	Open
		008 ⇔ 076	Strobe, slow to fast
		077 ⇔ 145	Pulse strobe, slow to fast
		146 ⇔ 215	Random strobe, slow to fast
		216 ⇔ 255	Open

29-Channel

Channel	Function	Value	Percent/Setting
1	Par control	000 ⇔ 255	Par red, DIM
2		000 ⇔ 255	Par green, DIM
3		000 ⇔ 255	Par blue, DIM
4		000 ⇔ 255	Par amber, DIM
5		000 ⇔ 255	Par white, DIM
6		000 ⇔ 255	Par UV, DIM
7		000 ⇔ 250	Strobe speed, slow to fast
		251 ⇔ 255	Strobe to sound
8	Derby control	000 ⇔ 255	Derby Red
9		000 ⇔ 255	Derby Green
10		000 ⇔ 255	Derby Blue
11		000 ⇔ 255	Derby White
12		000 ⇔ 250	Strobe speed, slow to fast
		251 ⇔ 255	Strobe to sound
13		000	Stop
	001 ⇔ 127	Rotate clockwise, slow to fast	
	128	Stop	
	129 ⇔ 255	Rotate counterclockwise, slow to fast	
14	Flash	000 ⇔ 255	White LED 1 dimmer
15		000 ⇔ 255	White LED 2 dimmer
16		000 ⇔ 255	White LED 3 dimmer
17		000 ⇔ 255	White LED 4 dimmer
18		000 ⇔ 250	Strobe speed, slow to fast
		251 ⇔ 255	Strobe to sound
19	Laser control	000	Blackout
		001 ⇔ 036	Image color
		037 ⇔ 071	Red
		074 ⇔ 107	Green
		111 ⇔ 143	Blue
		148 ⇔ 179	Red + green
		185 ⇔ 215	Red + blue
		222 ⇔ 255	Green + blue
20	Laser patterns	000 ⇔ 255	see Laser Patterns
21	Spot control	000 ⇔ 255	Pan
22		000 ⇔ 255	Fine pan
23		000 ⇔ 255	Tilt
24		000 ⇔ 255	Fine tilt
25		000 ⇔ 255	Pan/tilt speed

Channel	Function	Value	Percent/Setting
26	Spot color wheel	000 ⇔ 006	White
		007 ⇔ 013	Red
		014 ⇔ 020	Orange
		021 ⇔ 027	Yellow
		028 ⇔ 034	Green
		035 ⇔ 041	Blue
		042 ⇔ 048	CTO 400K
		049 ⇔ 055	Cyan
		056 ⇔ 062	Magenta
		063 ⇔ 064	Lime
		065 ⇔ 189	Color index
		190 ⇔ 221	Color scroll clockwise, fast to slow
		222 ⇔ 223	Stop
224 ⇔ 255	Color scroll counterclockwise, slow to fast		
27	Spot gobo wheel (see Gobos)	000 ⇔ 005	Open
		006 ⇔ 011	Gobo 1
		012 ⇔ 017	Gobo 2
		018 ⇔ 023	Gobo 3
		024 ⇔ 029	Gobo 4
		030 ⇔ 035	Gobo 5
		036 ⇔ 041	Gobo 6
		042 ⇔ 047	Gobo 7
		048 ⇔ 053	Gobo 8
		054 ⇔ 063	Gobo 9
		064 ⇔ 069	Gobo 9 shake, slow to fast
		070 ⇔ 075	Gobo 8 shake, slow to fast
		076 ⇔ 081	Gobo 7 shake, slow to fast
		082 ⇔ 087	Gobo 6 shake, slow to fast
		088 ⇔ 093	Gobo 5 shake, slow to fast
		094 ⇔ 099	Gobo 4 shake, slow to fast
		100 ⇔ 105	Gobo 3 shake, slow to fast
		106 ⇔ 111	Gobo 2 shake, slow to fast
		112 ⇔ 117	Gobo 1 shake, slow to fast
		118 ⇔ 127	Open
128 ⇔ 189	Scroll clockwise, slow to fast		
190 ⇔ 193	Stop		
194 ⇔ 255	Scroll counterclockwise, slow to fast		
28	Spot dimmer	000 ⇔ 255	0–100%
29	Spot strobe	000 ⇔ 003	Closed
		004 ⇔ 007	Open
		008 ⇔ 076	Strobe, slow to fast
		077 ⇔ 145	Pulse strobe, slow to fast
		146 ⇔ 215	Random strobe, slow to fast
216 ⇔ 255	Open		

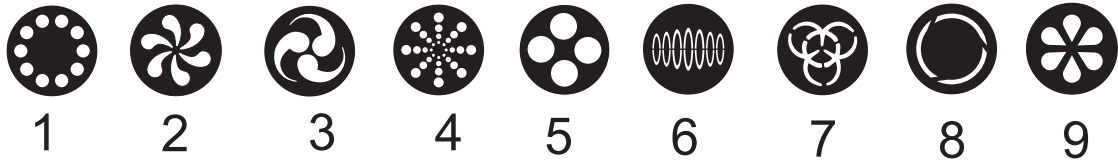
3-Channel

Channel	Function	Value	Percent/Setting
1	Operation	000 ⇄ 005	Blackout
		006 ⇄ 013	Mix 1
		014 ⇄ 022	Mix 2
		023 ⇄ 031	Mix 3
		032 ⇄ 040	Mix 4
		041 ⇄ 049	Pars + Derby Lights + Laser + Strobes
		050 ⇄ 058	Pars + Derby Lights + Laser + Spots
		059 ⇄ 067	Pars + Derby Lights + Strobes + Spots
		068 ⇄ 076	Pars + Laser + Strobes + Spots
		077 ⇄ 085	Derby Lights + Laser + Strobes + Spots
		086 ⇄ 094	Pars + Derby Lights + Laser
		095 ⇄ 103	Pars + Derby Lights + Strobes
		104 ⇄ 112	Pars + Derby Lights + Spots
		113 ⇄ 121	Pars + Laser + Strobes
		122 ⇄ 130	Pars + Laser + Spots
		131 ⇄ 139	Pars + Strobes + Spots
		140 ⇄ 147	Pars and Derby Lights
		148 ⇄ 155	Pars and Laser
		156 ⇄ 163	Pars and Strobes
		164 ⇄ 171	Pars and Spots
		172 ⇄ 179	Derby Lights and Laser
		180 ⇄ 187	Derby Lights and Strobes
		188 ⇄ 195	Derby Lights and Spots
		196 ⇄ 203	Laser and Strobes
		204 ⇄ 211	Laser and Spots
		212 ⇄ 219	Strobes and Spots
		220 ⇄ 227	Pars on only
		228 ⇄ 235	Derby Lights on only
236 ⇄ 243	Laser on only		
244 ⇄ 251	Strobes on only		
252 ⇄ 255	Spots on only		
2	Speed	000 ⇄ 127	Speed, slow to fast (sets auto program in CH1)
		128 ⇄ 255	Sound sensitivity (sets sound program in CH1)
3	Spot XY speed	000 ⇄ 255	Spots XY speed, slow to fast



When the value of CH2 is between 000–127, CH1 is in Auto mode. When the value of CH2 is between 128–255, CH1 is in Sound mode.

Gobos



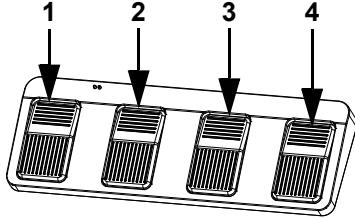
Laser Patterns

DMX	Pattern	DMX	Pattern	DMX	Pattern	DMX	Pattern
000 ⇔ 007	1 	064 ⇔ 071	9 	128 ⇔ 135	17 	192 ⇔ 199	25
008 ⇔ 015	2 	072 ⇔ 079	10 	136 ⇔ 143	18 	200 ⇔ 207	26
016 ⇔ 023	3 	080 ⇔ 087	11 	144 ⇔ 151	19 	208 ⇔ 215	27
024 ⇔ 031	4 	088 ⇔ 095	12 	152 ⇔ 159	20 	216 ⇔ 223	28
032 ⇔ 039	5 	096 ⇔ 103	13 	160 ⇔ 167	21 	224 ⇔ 231	29
040 ⇔ 047	6 	104 ⇔ 111	14 	168 ⇔ 175	22 	232 ⇔ 239	30
048 ⇔ 055	7 	112 ⇔ 119	15 	176 ⇔ 183	23 	240 ⇔ 247	31
056 ⇔ 063	8 	120 ⇔ 127	16 	184 ⇔ 191	24 	248 ⇔ 255	32

Wireless Footswitch

The included wireless footswitch provides quick access to preset colors, color-change programs, and sound-activation through the GigBAR MOVE + ILS microphone.

To use the footswitch:



1. Connect the GigBAR MOVE + ILS to power. Turn the wireless footswitch on.
2. Press **<MENU>** on the GigBAR MOVE + ILS until **SETUP** shows on the display, and press **<ENTER>**.
3. Use **<UP>** or **<DOWN>** to select **FOOT** then press **<ENTER>**.
4. Use **<UP>** or **<DOWN>** to select **COMMON** (to use the GigBAR MOVE + ILS with any footswitch) or **BIND** (to pair a footswitch to a specific GigBAR MOVE + ILS fixture).
5. Press **<ENTER>**.
6. Use the chart below to activate the desired function.

Footswitch Operation

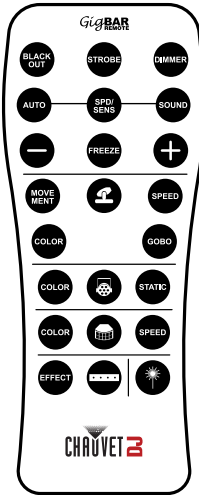
Pedal	Action	Functions
1 (Auto Programs)	Tap pedal to activate, then tap to navigate to desired function	Auto programs
2 (Sound Mode)	Press and hold	Sound-active programs
3 (Static Colors)	Tap	Cycles through colors (Pars and Derby Lights ONLY)
4 (Blackout)	Tap	Blackout



- The GigBAR MOVE + ILS footswitch will work properly in any mode, with a maximum unobstructed distance of 100 ft (30.5 m).
- The settings will be saved if there is no operation after 2 seconds.

GigBAR RF Remote Control

The GigBAR MOVE + ILS can be operated with the GigBAR RF Remote. To enable RF wireless control, follow the instructions below.



1. Press **<MENU>** to view the main menu on the display.
2. Use **<UP>** or **<DOWN>** until **SETUP** is selected.
3. Press **<ENTER>**.
4. Use **<UP>** or **<DOWN>** until **RF** is selected.
5. Press **<ENTER>**.
6. Use **<UP>** or **<DOWN>** to select **COMMON** (to connect a GigBAR MOVE + ILS to any RF remote) or **BIND** (to pair an RF remote to a specific GigBAR MOVE + ILS fixture).
7. Press **<ENTER>**.

GigBAR RF Remote Operation

Black Out

To black out the lasers with the RF remote:

- Press **<BLACK OUT>** on the RF remote.

This will turn off all the lasers until the button is pressed again.

NOTE: The RF remote will not respond to any inputs when Black Out is activated. If the product does not respond when a button is pressed, try pressing **<BLACK OUT>**. Black Out may have been activated.

Strobe

To activate strobe in manual mode using the RF remote:

1. Press **<STROBE>** on the RF remote.
2. Press **<+>** or **<->** to adjust the strobe.

Dimmer

To adjust the dimmer using the RF remote:

1. Press **<DIMMER>** on the RF remote.
2. Press **<+>** or **<->** to adjust the brightness.

Automatic Mode

Automatic mode will enable the user to run the automatic programs on the product. To turn on Automatic mode with the RF remote:

1. Press **<AUTO>** on the RF remote.
2. Press **<+>** or **<->** to choose between the different auto programs.

Speed

To adjust the auto program/spot speed with the RF remote:

1. Press **<SPD>** on the RF remote.
2. Press **<+>** or **<->** to increase or decrease the program speed.

Sound-Active Mode

To turn on Sound-Active mode with the RF remote:

1. Press and hold **<SOUND>** on the RF remote.
2. Press **<+>** or **<->** to select a sound-active program.

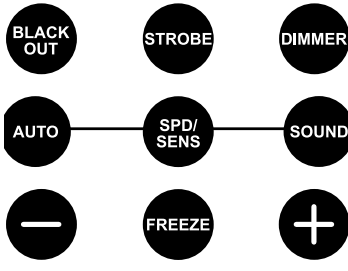
To adjust the sound sensitivity:

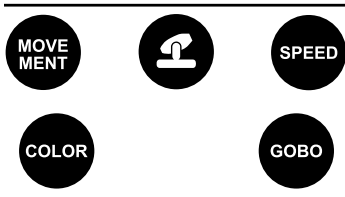
1. Press **<SENS>** on the RF remote.
2. Press **<+>** or **<->** to increase or decrease the sensitivity.

Freeze

To pause an auto program using the RF remote:

1. Press **<FREEZE>** on the RF remote.





Spots Program

To select a program for the Spots using an RF remote:

1. Press the **Spot icon button** on the RF remote.
2. Press **<MOVEMENT>** on the RF remote.
3. Press **<+>** or **<->** to change the movement program.

Spots XY Speed

To adjust the pan/tilt speed of the Spots using an RF remote:

1. Press the **Spot icon button** on the RF remote.
2. Press **<SPEED>** on the RF remote.
3. Press **<+>** or **<->** to increase or decrease the pan/tilt speed.

Spots Color

To select a color for the Spots using an RF remote:

1. Press the **Spot icon button** on the RF remote.
2. Press **<COLOR>** on the RF remote.
3. Press **<+>** or **<->** to scroll through the color wheel.

Spots Gobo

To select a gobo for the Spots using an RF remote:

1. Press **Spot icon button** on the RF remote.
2. Press **<GOBO>** on the RF remote.
3. Press **<+>** or **<->** to scroll through the gobo wheel.



Par Program

To select a program for the Pars using an RF remote:

1. Press the **Par icon button** on the RF remote.
2. Press **<COLOR>** on the RF remote.
3. Press **<+>** or **<->** to scroll through the color programs.

Par Color

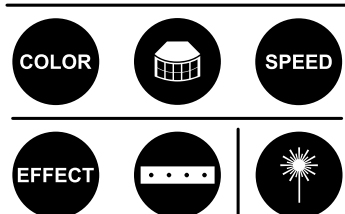
To select a static color for the Pars using an RF remote:

1. Press the **Par icon button** on the RF remote.
2. Press **<STATIC>** on the RF remote.
3. Press **<+>** or **<->** to scroll through the static colors.

Derby Program

To select a program for the Derby using an RF remote:

1. Press the **Derby icon button** on the RF remote.
2. Press **<COLOR>** on the RF remote.
3. Press **<+>** or **<->** to scroll through the colors.



Derby Speed

To adjust the rotation speed of the Derby using an RF remote:

1. Press the **Derby icon button** on the RF remote.
2. Press **<SPEED>** on the RF remote.
3. Press **<+>** or **<->** to increase or decrease rotation speed.

Laser

To turn on and off the Laser using an RF remote:

1. Press the **Laser icon button** on the RF remote.

Strobe Program

To select a program for the Strobe using an RF remote:

1. Press the **Strobe icon button** on the RF remote.
2. Press the **<EFFECT>** button to select a specific effect.
3. Press **<+>** or **<->** to scroll through the effects.



- The individual fixture icon buttons can also be used to turn on and off the selected functions.
- Any setting on the RF remote will be saved until the system is rebooted. The system will revert to Auto Mode after reboot.

Master/Slave Mode

The Master/Slave mode allows a single GigBAR MOVE + ILS product (the “master”) to control the actions of one or more GigBAR MOVE + ILS products (the “slaves”) without the need of a DMX controller. The master product will be set to operate in either standalone mode or with the RF remote, whereas the slave products will be set to operate in slave mode. Once set and connected, the slave products will operate in unison with the master product.

Configure the products as indicated below.

Slave products:

1. Press **<MENU>** repeatedly until **SETUP** shows on the display, then press **<ENTER>**.
2. Use **<UP>** or **<DOWN>** to select **DFI**, then press **<ENTER>**.
3. Use **<UP>** or **<DOWN>** to select **RX**, then press **<ENTER>**.
4. Use **<UP>** or **<DOWN>** to select the receiving D-Fi channel, from 1–16.
5. Press **<ENTER>**.
6. Press **<MENU>** repeatedly until **SLAVE** shows on the display, then press **<ENTER>**.
7. Finish setting and connecting all the slave products.

Master product:

1. Press **<MENU>** repeatedly until **SETUP** shows on the display, then press **<ENTER>**.
2. Use **<UP>** or **<DOWN>** to select **DFI**, then press **<ENTER>**.
3. Use **<UP>** or **<DOWN>** to select **TX**, then press **<ENTER>**.
4. Use **<UP>** or **<DOWN>** to select the transmitting D-Fi channel, from 1–16.
5. Press **<ENTER>**.

- **Make sure that the slave products are configured to the same D-Fi channel as the master product.**



- **Configure all the slave products before connecting the master to the daisy chain.**
- **Never connect a DMX controller to a DMX string configured for Master/Slave operation because the controller may interfere with the signals from the master.**

5. Maintenance

Product Maintenance

Dust build-up reduces light output performance and can cause overheating. This can lead to reduction of the light source's life and/or mechanical wear. To maintain optimum performance and minimize wear, clean all lighting products at least twice a month. However, be aware that usage and environmental conditions could be contributing factors to increase the cleaning frequency.

To clean the product, follow the instructions below:

1. Unplug the product from power.
2. Wait until the product is at room temperature.
3. Use a vacuum (or dry compressed air) and a soft brush to remove dust collected on the external surface/vents.
4. Clean all transparent surfaces with a mild soap solution, ammonia-free glass cleaner, or isopropyl alcohol.
5. Apply the solution directly to a soft, lint free cotton cloth or a lens cleaning tissue.
6. Softly drag any dirt or grime to the outside of the transparent surface.
7. Gently polish the transparent surfaces until they are free of haze and lint.



Always dry the transparent surfaces carefully after cleaning them.

6. Technical Specifications

Dimensions and Weight

Length	Width	Height	Weight
43 in (1100 mm)	5.7 in (144 mm)	17.7 in (449 mm)	14 lb (31 kg)

Note: Dimensions in inches are rounded.

Power

Power Supply Type	Range	Voltage Selection
Switching (internal)	100 to 240 VAC, 50/60 Hz	Auto-ranging

Parameter	120 V, 60 Hz	230 V, 50 Hz
Consumption	250 W	79 W
Operating current	3 A	0.6 A
Power-linking current (products)	8 A (2 products)	8 A (4 products)
Fuse	T 3.15 A, 250 V	T 3.15 A, 250 V

Power I/O	U.S./Worldwide	UK/Europe
Power input connector	IEC	IEC
Power output connector	Edison	IEC
Power cord plug	Edison (U.S.)	Local plug

Light Source (laser)

Type	Power	Wavelength
Laser (red)	30 mW	638 nm
Laser (green)	20 mW	520 nm
Laser (blue)	50 mW	450 nm

Light Source (derby)

Type	Color	Quantity	Power	Current	Lifespan
LED	RGBW (2 each)	8	6.5 W	2 A	50,000 hours

Light Source (pars)

Type	Color	Quantity	Power	Current	Lifespan
LED	RGBAW + UV	3	6 W	2 A	50,000 hours

Light Source (strobe)

Type	Color	Quantity	Power	Current	Lifespan
LED	Cool white	4	5 W	1.2 A	50,000 hours

Light Source (moving head)

Type	Color	Quantity	Power	Current	Lifespan
LED	Cool white	1	32 W	3 A	50,000 hours

Technical Specifications

Photometrics

Coverage Angle (derby)	Coverage Angle (laser)	Field Angle (pars)	Field Angle (strobe)
131°	93°	33°	62°
Beam Angle (moving heads)	Beam Angle (pars)	Beam Angle (strobe)	
17°	22°	30°	
Illuminance @ 2 m (pars)	Illuminance @ 2 m (moving heads)	Illuminance @ 2 m (strobes)	
1,205 lux (per par)	5,140 lux (per head)	130 lux (per zone)	
Pan and Tilt	Strobe Rate		
540°/180°	0 to 30 Hz		

Thermal

Laser Minimum External Temp.	Laser Maximum External Temp.	Cooling System
59 °F (15 °C)	95 °F (35 °C)	Fan-assisted convection

DMX

I/O Connector	Channel Range
3-pin XLR	3, 29, or 51

Ordering

Product Name	Item Code (US)	UPC Number (US)
GigBAR MOVE + ILS	10051946	781462222949



Contact Us

General Information	Technical Support
Chauvet World Headquarters	
Address: 3360 Davie Rd., Suite 509 Davie, FL 33314 Voice: (954) 577-4455 Fax: (954) 929-5560 Toll Free: (800) 762-1084	Voice: (844) 393-7575 Fax: (954) 756-8015 Email: chauvetcs@chauvetlighting.com Website: www.chauvetdj.com
Chauvet U.K.	
Address: Unit 1C Brookhill Road Industrial Estate Pinxton, Nottingham, UK NG16 6NT Voice: +44 (0) 1773 511115 Fax: +44 (0) 1773 511110	Email: UKtech@chauvetlighting.eu Website: www.chauvetdj.eu
Chauvet Benelux	
Address: Stokstraat 18 9770 Kruishoutem Belgium Voice: +32 9 388 93 97	Email: BNLtech@chauvetlighting.eu Website: www.chauvetdj.eu
Chauvet France	
Address: 3, Rue Ampère 91380 Chilly-Mazarin France Voice: +33 1 78 85 33 59	Email: FRtech@chauvetlighting.fr Website: www.chauvetdj.eu
Chauvet Germany	
Address: Bruno-Bürgel-Str. 11 28759 Bremen Germany Voice: +49 421 62 60 20	Email: DEtech@chauvetlighting.de Website: www.chauvetdj.eu
Chauvet Mexico	
Address: Av. de las Partidas 34 - 3B (Entrance by Calle 2) Zona Industrial Lerma Lerma, Edo. de México, CP 52000 Voice: +52 (728) 690-2010	Email: servicio@chauvet.com.mx Website: www.chauvetdj.mx

Warranty & Returns

For warranty registration and complete terms and conditions, please visit the Chauvet website.

For customers in the United States and Mexico: www.chauvetlighting.com/warranty-registration.

For customers in the United Kingdom, Republic of Ireland, Belgium, the Netherlands, Luxembourg, France, and Germany: www.chauvetlighting.eu/warranty-registration.