

4BAR ILS

User Manual




CHAUVET 

TABLE OF CONTENTS

1. Before You Begin	1
What Is Included	1
Unpacking Instructions	1
Claims	1
Text Conventions	1
Symbols	1
Disclaimer	1
Intellectual Property	1
Safety Notes.....	2
2. Introduction	3
Product Overview.....	3
Product Dimensions.....	4
3. Setup	5
AC Power.....	5
Fuse Replacement.....	5
Mounting	6
Orientation.....	6
Rigging.....	6
Mounting Diagram	6
4. Operation	7
Control Panel Operation.....	7
Menu Map	7
DMX Linking.....	7
DMX Configuration.....	7
DMX Personality and Starting Address.....	7
D-Fi USB Connectivity	8
D-Fi USB Configuration.....	8
D-Fi USB DIP Switch Channels	8
DMX Channel Assignments and Values	9
Standalone Configuration.....	10
Static Colors.....	10
Automatic Programs.....	10
Automatic Speed	10
Dimmer.....	10
Sound-Active Mode	10
Custom Color Mixing.....	10
Wireless Footswitch	11
Footswitch Operation	11
Footswitch Battery.....	11
IRC-6 Infrared Remote Control	12
IRC-6 Operation	12
Master/Slave Mode	13
Master/Slave Mode (wired)	13
Master/Slave Mode (D-Fi USB).....	13
Master/Slave Expansion Mode	14
Expansion Mode (wired).....	14
Expansion Mode (D-Fi USB).....	14
ILS Mode.....	15
5. Maintenance.....	16
Product Maintenance	16
6. Technical Specifications	17
Contact Us	18
Warranty & Returns.....	18

1. Before You Begin

What Is Included

- 4BAR ILS
- Power cable
- Carrying bag
- Wireless footswitch
- Tripod
- Tripod carry bag
- Quick Reference Guide

Unpacking Instructions

Carefully unpack the product immediately and check the container to make sure all the parts are in the package and are in good condition.

Claims

If the box or the contents (the product and included accessories) appear damaged from shipping, or show signs of mishandling, notify the carrier immediately, not Chauvet. Failure to report damage to the carrier immediately may invalidate a claim. In addition, keep the box and contents for inspection.

For other issues, such as missing components or parts, damage not related to shipping, or concealed damage, file a claim with Chauvet within 7 days of delivery.

Text Conventions

Convention	Meaning
1–512	A range of values
50/60	A set of values of which only one can be chosen
Settings	A menu option not to be modified
Menu > Settings	A sequence of menu options to be followed
<ENTER>	A button to be pressed on the product’s control panel
ON	A value to be entered or selected

Symbols

Symbol	Meaning
	Electrical warning. Not following these instructions may cause electrical damage to the product, accessories, or the user.
	Critical installation, configuration, or operation information. Not following these instructions may make the product not work, cause damage to the product, or cause harm to the operator.
	Important installation or configuration information. The product may not function correctly if this information is not used.
	Useful information.

Disclaimer

Chauvet believes that the information contained in this manual is accurate in all respects. However, Chauvet assumes no responsibility and specifically disclaims any and all liability to any party for any loss, damage or disruption caused by any errors or omissions in this document, whether such errors or omissions result from negligence, accident or any other cause. Chauvet reserves the right to revise the content of this document without any obligation to notify any person or company of such revision, however, Chauvet has no obligation to make, and does not commit to make, any such revisions. Download the latest version from www.chauvetdj.com.

Intellectual Property

The works of authorship contained in this manual, including, but not limited to, all design, text and images are owned by Chauvet.

© Copyright 2023 Chauvet & Sons, LLC. All rights reserved.

Electronically published by Chauvet in the United States of America.

Chauvet, the Chauvet logo, Chauvet DJ, and 4BAR ILS are registered trademarks or trademarks of Chauvet & Sons LLC (d/b/a Chauvet and Chauvet Lighting) in the United States and other countries. Other company and product names and logos referred to herein may be trademarks of their respective companies.

Safety Notes

■ **ALWAYS:**



- Connect to a grounded circuit.
- Connect to operating voltages as specified on the product's spec sticker.
- Disconnect from power before replacing the fuse.
- Disconnect from its power source during periods of inactivity.
- Use a safety cable when suspending overhead.
- Heed all restrictions and warnings on the spec sticker.
- Mount in a location with at least 20 in (50 cm) of ventilation.
- Replace the fuse with the same type and rating.
- Use a clamp with a captive bolt when a single hanging bracket is used.

- In the event of a serious operating problem, stop using immediately.

■ **DO NOT:**



- Open this product or attempt any repairs. It contains no user-serviceable parts.
- Look at the light source when the product is on.
- Use if the power cord is crimped or damaged.
- Disconnect by pulling on the power cord.
- Allow flammable materials close to the product when it is operating.
- Touch the housing when it is on.
- Block any ventilation holes/slots in the housing.
- Connect to a dimmer or rheostat.
- Carry the product by its power cord.
- Operate in temperatures higher than 104°F (40°C).
- Expose to environments that exceed the Ingress Protection (IP) rating.
- Expose to rain or moisture.
- Use outdoors.
- Expose to corrosive environmental conditions such as temperature, humidity, salinity, pressure, radiation, or shock.
- Set this product on a flammable surface.

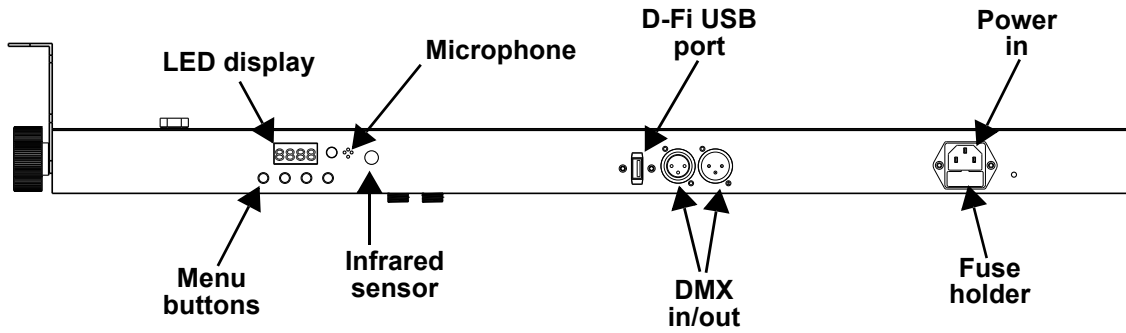


Keep this User Manual for future use. If the product is sold to someone else, be sure that they also receive this document.

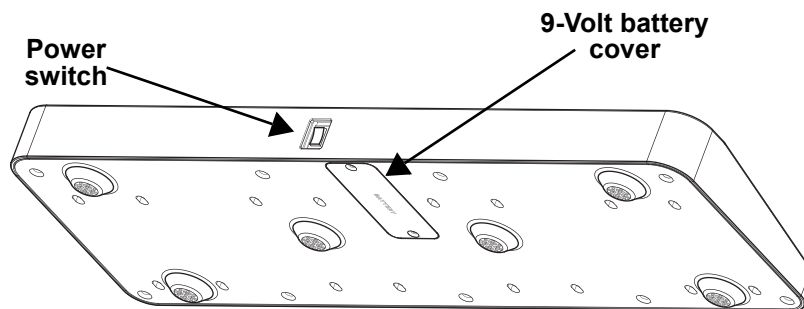
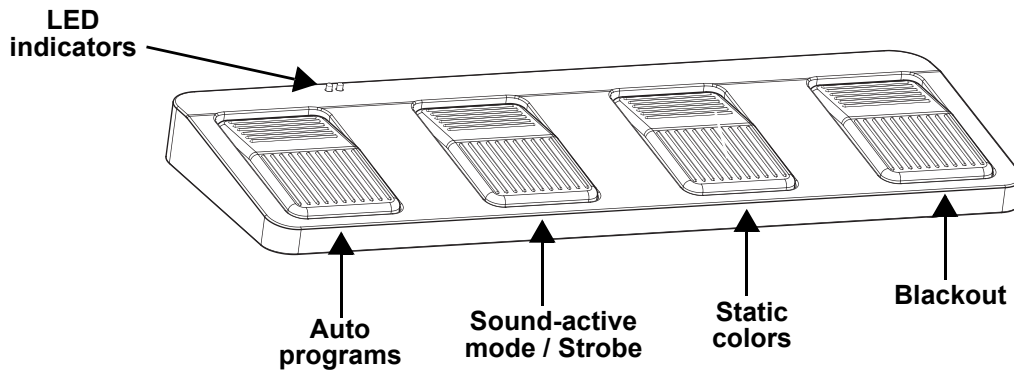
2. Introduction

Product Overview

4BAR USB - Back Panel



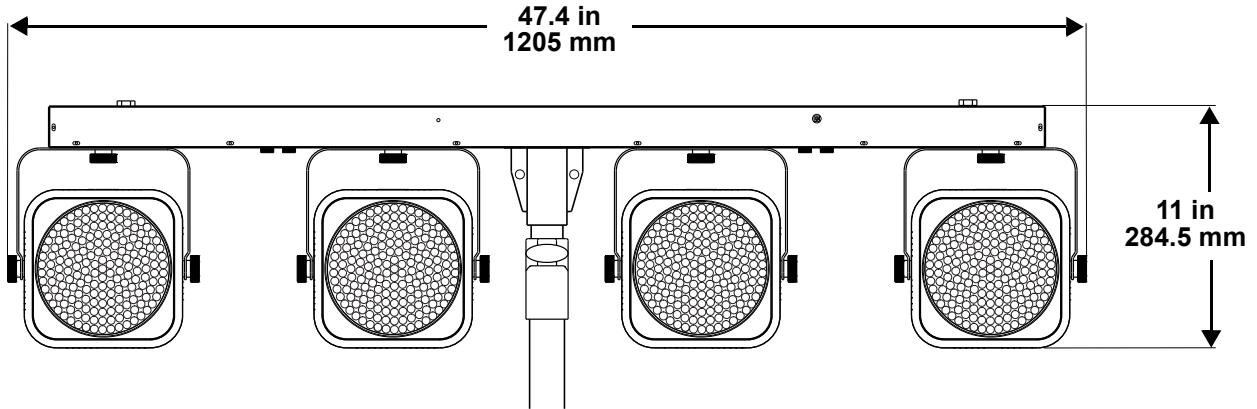
Footswitch



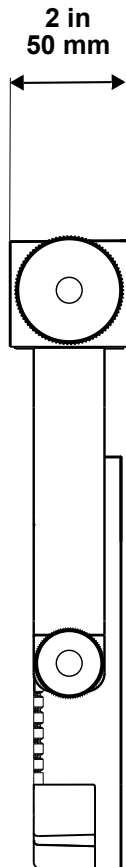
WARNING! DO NOT plug anything other than a D-Fi USB into the USB Port. Doing so may cause damage to the product.

Product Dimensions

Front View



Side View



3. Setup

AC Power

The 4BAR ILS has an auto-ranging power supply, and it can work with an input voltage range of 100 to 240 VAC, 50/60 Hz.

To determine the product's power requirements (circuit breaker, power outlet, and wiring), use the current value listed on the label affixed to the product's back panel, or refer to the product's specifications chart.

The listed current rating indicates the product's average current draw under normal conditions.



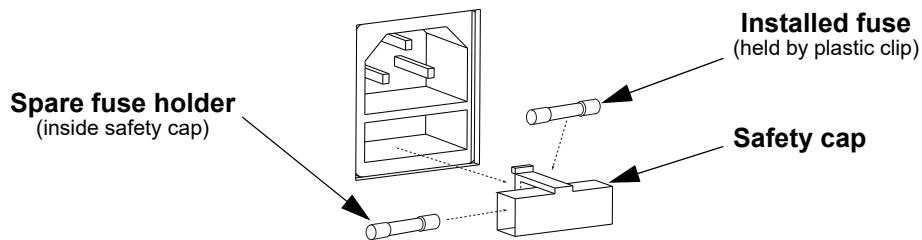
- **Always connect the product to a protected circuit (a circuit breaker or fuse). Make sure the product has an appropriate electrical ground to avoid the risk of electrocution or fire.**
- **To eliminate unnecessary wear and improve its lifespan, during periods of non-use completely disconnect the product from power via breaker or by unplugging it.**



Never connect the product to a rheostat (variable resistor) or dimmer circuit, even if the rheostat or dimmer channel serves only as a 0 to 100% switch.

Fuse Replacement

1. Disconnect the product from power.
2. Wedge the tip of a flat-head screwdriver into the slot of the fuse holder.
3. Pry the fuse holder out of the housing.
4. Remove the blown fuse from the holder and replace with a fuse of the exact same type and rating.
5. Insert the fuse holder back in place and reconnect power.



Disconnect the product from the power outlet before replacing the fuse.

Mounting

Before mounting the product, read and follow the safety recommendations indicated in the [Safety Notes](#).

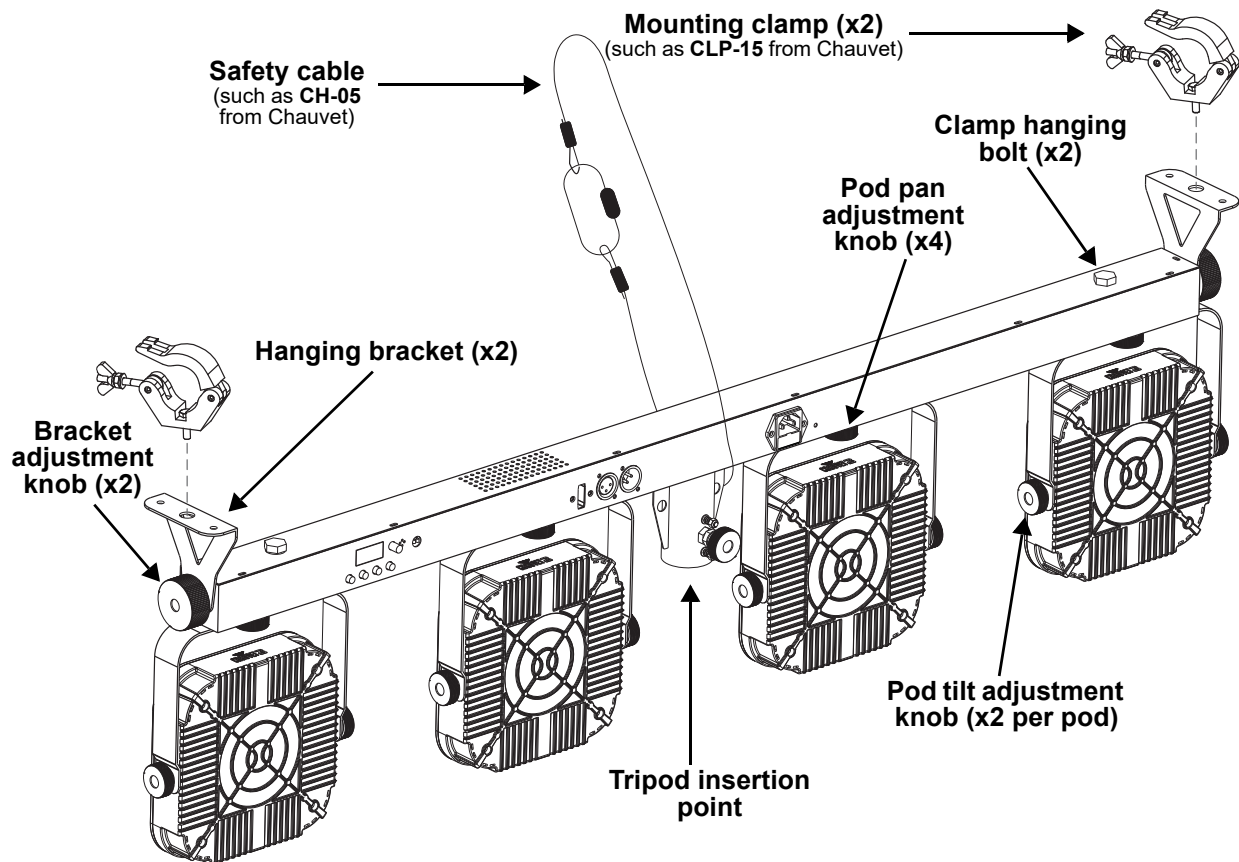
Orientation

The 4BAR ILS may be mounted in any position; however, make sure adequate ventilation is provided around the product.

Rigging

- Before deciding on a location, always make sure there is easy access to the product for maintenance and programming.
- Make sure adequate ventilation is provided around the product.
- Make sure that the structure or surface onto which the product is being mounted can support the product's weight (see the [Technical Specifications](#)).
- When mounting the product overhead, always use a safety cable. Mount the product securely to a rigging point, whether an elevated platform or a truss.
- When rigging the product onto a truss, use a mounting clamp of appropriate weight capacity.
- When power linking multiple products, mount the products close enough for power-linking cables to reach.
- The bracket adjustment knobs allow for directional adjustment when aiming the product to the desired angle. Only loosen or tighten the bracket adjustment knobs manually. Using tools could damage the knobs.

Mounting Diagram



4. Operation

Control Panel Operation

To access the control panel functions, use the four buttons located underneath the display. Please refer to the [Product Overview](#) to see the button locations on the control panel.

Button	Function
<MENU>	Press to find an operation mode or to back out of the current menu option
<UP>	Press to scroll up the list of options or to increase the numeric value in a function
<DOWN>	Press to scroll down the list of options or to decrease the numeric value in a function
<ENTER>	Press to activate a menu option or set the selected value in a function

Menu Map

Mode	Programming Levels		Description		
DMX Mode	3Ch	d 1–510	3-channel DMX mode		
	5Ch		5-channel DMX mode		
	15Ch		15-channel DMX mode		
iLS Mode	iLS	iLS 1–4	Sets iLS mode		
Static Colors	C--	C 1–19	Selects one of the preset static colors		
Automatic Programs	P--	P 1–8	Turns on Auto mode		
Auto Speed	S--	S. 1–100	Adjusts the speed of the automatic programs (fast to slow)		
Dimmer	d	L. 1–255	Adjusts the dimmer		
Sound-Active Mode	Snd	Snd1–8	Turns on Sound-active mode		
Custom Color Mixing	u--	r. 0–255	Adjusts the red, green, and blue levels to create custom colors		
		G. 0–255			
		b. 0–255			
		S. 0–100	Adjusts the strobe rate		
Control Mode	SEt	ir	on	Turns infrared on or off for use with the IRC-6 remote	
			oFF		
		rF	on	rF01–16	Selects channel for footswitch operation
			oFF		Footswitch mode off

DMX Linking

The 4BAR iLS works with a DMX controller. Information about DMX is in the CHAUVET DMX Primer, which is available from the Chauvet website

http://www.chauvetlighting.com/downloads/DMX_Primer_rev05_WO.pdf.

DMX Configuration

Set the product in DMX mode to control with a DMX controller.

1. Connect the product to a suitable power outlet.
2. Connect a DMX cable from the DMX output of the DMX controller to the DMX input socket on the product.

DMX Personality and Starting Address

When selecting a starting DMX address, always consider the number of DMX channels the selected DMX mode uses. If the starting address is set too high, access to some of the product's channels could be restricted.

The 4BAR iLS uses up to 15 DMX channels in a 15-Ch DMX mode, which defines the highest configurable address to **498**.

For information about the DMX protocol, download the DMX Primer from www.chauvetdj.com.

To select the starting address, do the following:

1. Press <MENU> repeatedly until **3Ch**, **5Ch**, or **15Ch** shows on the display.
2. Press <ENTER> and **d 1–510** will show on the display.
3. Use <UP> or <DOWN> to select the starting address.
4. Press <ENTER>.

D-Fi USB Connectivity

The 4BAR ILS is able to become a D-Fi wireless receiver/transmitter with the use of the D-Fi USB from Chauvet DJ. Simply set the DIP switch D-Fi receiving/transmitting channel, plug it into the USB port then set the product's DMX Personality and DMX Address. Further instructions for connecting this product for D-Fi USB operation are in the User Manual.



WARNING! DO NOT plug anything other than a D-Fi USB into the USB port. Doing so may cause damage to the product.



Once plugged in, the D-Fi USB will take over the product. Wired DMX, manual display control/menu buttons and IRC-6 will be unavailable until the D-Fi USB is unplugged. The priority levels are:

1. D-Fi USB
2. Wired DMX
3. IRC-6 remote control
4. Manual digital display/Menu buttons

D-Fi USB Configuration

1. Set the DMX Personality and DMX address on the product.
2. Use the Chart provided to set BOTH:
 - The Channel, and then
 - the **Receiving** or **Transmitting** option.

D-Fi USB DIP Switch Channels



DMX Channel Assignments and Values

3Ch	5Ch	15Ch	Function	Value	Percent/Setting
-	-	1	Auto Programs	000 ⇔ 009	No function
				010 ⇔ 029	Auto program 1
				030 ⇔ 049	Auto program 2
				050 ⇔ 069	Auto program 3
				070 ⇔ 089	Auto program 4
				090 ⇔ 109	Auto program 5
				110 ⇔ 129	Auto program 6
				130 ⇔ 149	Auto program 7
				150 ⇔ 169	Auto program 8
				170 ⇔ 189	Auto program 9
				190 ⇔ 209	Auto program 10
				210 ⇔ 229	Auto program 11
				230 ⇔ 249	Auto program 12
250 ⇔ 255	Sound-active program				
1	1	-	Red	000 ⇔ 255	0-100%
2	2	-	Green	000 ⇔ 255	0-100%
3	3	-	Blue	000 ⇔ 255	0-100%
-	4	2	Dimmer	000 ⇔ 255	0-100%
-	5	3	Strobe (when Ch. 1 is 000 ⇔ 009)	000 ⇔ 009	No function
				010 ⇔ 255	Strobe, slow to fast
-	-	3	Auto Speed (when Ch. 1 is 010 ⇔ 249)	000 ⇔ 255	Program speed, slow to fast
			Sound Sensitivity (when Ch. 1 is 250 ⇔ 255)	000 ⇔ 010	Sound sensitivity off
				011 ⇔ 255	Sound sensitivity on
-	-	4	Red 1	000 ⇔ 255	0-100%
-	-	5	Green 1	000 ⇔ 255	0-100%
-	-	6	Blue 1	000 ⇔ 255	0-100%
-	-	7	Red 2	000 ⇔ 255	0-100%
-	-	8	Green 2	000 ⇔ 255	0-100%
-	-	9	Blue 2	000 ⇔ 255	0-100%
-	-	10	Red 3	000 ⇔ 255	0-100%
-	-	11	Green 3	000 ⇔ 255	0-100%
-	-	12	Blue 3	000 ⇔ 255	0-100%
-	-	13	Red 4	000 ⇔ 255	0-100%
-	-	14	Green 4	000 ⇔ 255	0-100%
-	-	15	Blue 4	000 ⇔ 255	0-100%

Standalone Configuration

Set the product in one of the standalone modes to control without a DMX controller.

- Connect the product to a suitable power outlet.



Never connect a product that is operating in any standalone mode to a DMX string connected to a DMX controller. Products in standalone mode may transmit DMX signals that could interfere with the DMX signals from the controller.

Static Colors

To run the 4BAR ILS in Preset Color mode, follow the instructions below:

1. Press **<MENU>** repeatedly until **C--** shows on the display.
2. Press **<ENTER>**.
3. Use **<UP>** or **<DOWN>** to select **C 1–19**.
4. Press **<ENTER>**.

Automatic Programs

To run the 4BAR ILS in Automatic mode, follow the instructions below:

1. Press **<MENU>** repeatedly until **P--** shows on the display.
2. Press **<ENTER>**.
3. Use **<UP>** or **<DOWN>** to select **P 1–8**.
4. Press **<ENTER>**.

Automatic Speed

To change the auto program speed, do the following:

1. Press **<MENU>** repeatedly until **S--** shows on the display.
2. Press **<ENTER>** and **S.xxx** will show on the display.
3. Use **<UP>** or **<DOWN>** to increase or decrease the speed.
4. Press **<ENTER>**.

Dimmer

To adjust the total output, do the following:

1. Press **<MENU>** repeatedly until **d--** shows on the display.
2. Press **<ENTER>** and **L.xxx** will show on the display.
3. Use **<UP>** or **<DOWN>** to select from **L. 1–255**.
1. Press **<ENTER>**.

Sound-Active Mode

To run the 4BAR ILS in sound-active mode, do the following:

1. Press **<MENU>** repeatedly until **Snd** shows on the display.
2. Press **<ENTER>**.
3. Use **<UP>** or **<DOWN>** to select **Snd1–8**.
4. Press **<ENTER>**.

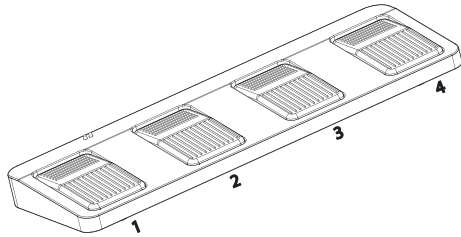
Custom Color Mixing

To custom mix a color, do the following:

1. Press **<MENU>** repeatedly until **u--** shows on the display.
2. Press **<ENTER>** and one of the following will show on the display:
 - **r. xxx** (red)
 - **G. xxx** (green)
 - **b. xxx** (blue)
 - **S. xxx** (strobe rate)
3. Press **<ENTER>** to cycle through the color settings.
4. When the desired color shows on the display, use **<UP>** or **<DOWN>** to increase or decrease the color value.
5. Repeat steps 3 and 4 until the product outputs as desired.

Wireless Footswitch

The included wireless footswitch provides quick access to preset colors, color-change programs, and sound-activation through the 4BAR ILS microphone. To use the footswitch:



1. Connect the 4BAR ILS to power. Turn the wireless footswitch on.
2. Press **<MENU>** on the 4BAR ILS until **Set** shows on the display, and press **<ENTER>**.
3. Use **<UP>** or **<DOWN>** to select **rF**, then press **<ENTER>**.
4. Use **<UP>** or **<DOWN>** to select **on**, then press **<ENTER>**.
5. Use **<UP>** or **<DOWN>** to set the channel, from **rF01–16**, and press **<ENTER>**.
6. Press **<MENU>** on the 4BAR ILS repeatedly until **P--** shows on the display, and press **<ENTER>**.
7. Set the DIP switch channel on the wireless footswitch to match the channel set on the 4BAR ILS. (Use the [D-Fi USB DIP Switch Channels](#) image for help)
8. Press pedal #1 (Colors) to activate Static Color controls. When working, all the lights will begin in a Static color and **FOO**t will appear on the Menu display.
9. Use the chart below to activate the desired function.

Footswitch Operation

Pedal	Action	Functions
1 (Auto Programs)	Tap pedal to activate, then tap to navigate to desired function	Auto programs 1–12
	Tap pedal	Enter sound mode
2 (Sound Mode/Strobe)	Press and hold	Strobe mode
	Tap pedal again	Turn off strobe (sound mode only)
	Tap pedal	White Red Green Blue Yellow Magenta Cyan
3 (Static Colors)	Press and hold	Auto snap program Auto fade program
	Tap pedal	Blackout on or off
4 (Blackout)	Press and hold	Fade out or in



The 4BAR ILS footswitch will work properly in any mode, with a maximum unobstructed distance of 50 ft (15.24 m). Before using the footswitch, turn on the rF on the 4BAR ILS, set the rF channel, and navigate to Auto mode.

Footswitch Battery

The wireless footswitch uses a 9-volt battery located under the battery cover on the bottom of the product, which can be replaced when necessary.

Battery Replacement

To replace the battery in the wireless footswitch:

1. Turn the power switch to the Off position.
2. Remove the battery cover by removing 2 screws with a Phillips-head screwdriver (see [Product Overview](#))
3. Remove the old battery from the housing and unplug it from the leads.
4. Replace with a new 9-volt battery, ensuring that the positive (+) and negative (-) leads correspond to the correct electrodes on the battery.
5. Place the battery into the housing and cover with the battery cover.
6. Secure the battery cover with the 2 Phillips-head screws.



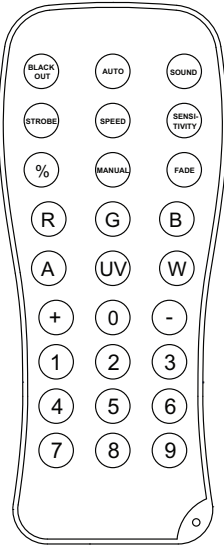
DO NOT overtighten the screws!

IRC-6 Infrared Remote Control

The 4BAR ILS is compatible with the IRC-6 infrared remote control from Chauvet. To activate IR mode, follow the instructions below:

1. Press **<MENU>** repeatedly until **SEt** shows on the display.
2. Press **<ENTER>**.
3. Use **<UP>** or **<DOWN>** to select **ir**.
4. Press **<ENTER>**.
5. Use **<UP>** or **<DOWN>** to select **on**.
6. Press **<ENTER>**.

IRC-6 Operation



Automatic Mode

Automatic mode will enable the user to run the automatic programs on the product. To turn on Automatic mode (snap) with the IRC-6:

1. Press **<AUTO>** on the IRC-6.
2. Press **<+>** or **<->** to choose between the different auto programs.

To select only fading programs:

1. Press **<FADE>** on the IRC-6.
2. Press **<+>** or **<->** to choose between the different fading programs.

To adjust the speed of the automatic program:

1. Press **<SPEED>** on the IRC-6.
2. Press **<+>** or **<->** to increase or decrease the speed of the program.

Sound-Active Mode

To turn on Sound-Active mode with the IRC-6:

1. Press **<SOUND>** on the IRC-6.
2. Press **<+>** or **<->** to select a sound-active program.

To adjust the sound sensitivity:

1. Press **<SENSITIVITY>** on the IRC-6.
2. Press **<+>** or **<->** to increase or decrease the sensitivity.

Manual Color Control

To select a preset static color with the IRC-6:

1. Press **<MANUAL>** on the IRC-6.
2. Press any number between 0–9 to choose a color.

To manually control the RGB percentage with the IRC-6:

1. Press **<MANUAL>** on the IRC-6.
2. Select the color to be edited, from **<R>** (red), **<G>** (green), or **** (blue).
3. Press **<+>** or **<->** to increase or decrease the value of the selected color.
4. Repeat steps 2 and 3 until the product outputs as desired.

Strobe

To adjust the strobe rate with the IRC-6:

1. Press **<STROBE>** on the IRC-6.
2. Press **<+>** or **<->** to increase or decrease the strobe rate.
3. Press **<STROBE>** again to turn off the strobe.

Dimmer

To adjust the total output with the IRC-6:

1. Press **<%>** on the IRC-6.
2. Press **<+>** or **<->** to increase or decrease the output level.

Black Out

To black out the lights with the IRC-6:

1. Press **<BLACK OUT>** on the IRC-6.

This will turn off all the lights until the button is pressed again.

The IRC-6 will not respond to any inputs when Black Out is activated. If the remote does not respond when a button is pressed, try pressing <BLACK OUT>. Black Out might have inadvertently activated.



Master/Slave Mode

The Master/Slave mode allows a single 4BAR ILS product (the “master”) to control the actions of one or more 4BAR ILS products (the “slaves”) without the need of a DMX controller. The master product will be set to operate in either standalone mode or with the footswitch, while the slave products will be set to operate in slave mode. Once set and connected, the slave products will operate in unison with the master product.

Master/Slave Mode (wired)

Configure the products as indicated below.

Slave products:

1. Press **<MENU>** repeatedly until **3Ch**, **5Ch**, or **15Ch** shows on the display.
2. Press **<ENTER>** to accept.
3. Set the DMX address to **d 1**.
4. Connect the DMX input of the first slave product to the DMX output of the master product.
5. Connect the DMX input of the subsequent slave products to the DMX output of the previous slave product.
6. Finish setting and connecting all the slave products.

Master product:

1. Set the master product to operate in either Automatic or Sound-Active mode.
2. Make the master product the first product in the DMX daisy chain.



- **Configure all the slave products before connecting the master to the daisy chain.**
- **Never connect a DMX controller to a DMX string configured for Master/Slave operation because the controller may interfere with the signals from the master.**
- **Do not connect more than 31 slaves to the master.**

Master/Slave Mode (D-Fi USB)

The D-Fi USB allows a single 4BAR ILS product (the “master”) to control the actions of one or more 4BAR ILS products (the “slaves”) without the need of a DMX controller or DMX cables. The master (transmitter) product will be set to operate in either standalone mode or with the footswitch, while the slave (receiver) products will be set to operate in slave mode. Once set and connected, the slave products will operate in unison with the master product.

Configure the products as indicated below.

Slave products:

1. Press **<MENU>** repeatedly until **3Ch**, **5Ch**, or **15Ch** shows on the display.
2. Press **<ENTER>** to accept.
3. Set the DMX address to **d 1**.
4. Set D-Fi USB to receive on a specific channel, 1–16. (Use the [D-Fi USB DIP Switch Channels](#) image for help)
5. Plug in the D-Fi USB.
6. Finish setting and connecting all the slave products.

Master product:

1. Press **<MENU>** repeatedly until the DMX personality the slaves are set to show on the display.
2. Press **<ENTER>** to accept.
3. Set the DMX address to **d 1**.
4. Set the master to operate in either Automatic or Sound-Active mode.
5. Set the D-Fi USB transmit on the D-Fi channel the slaves are receiving on. (Use the [D-Fi USB DIP Switch Channels](#) image for help)
6. Plug in the D-Fi USB.



- **All products must be set to the same DMX personality, DMX address, and D-Fi channel.**
- **Configure all the slave products before configuring the master to transmit.**
- **Never connect a DMX controller to a D-Fi channel configured for Master/Slave operation because the controller may interfere with the signals from the master.**

Master/Slave Expansion Mode

The Master/Slave Expansion mode allows a single 4BAR ILS product (the “master”) to control the actions of one or more Tri-color LED USB products (the “slaves”), such as a COREpar USB, SlimPAR USB, or Freedom Par, without the need of a DMX controller, with the use of the optional D-Fi USB (not included). The 4BAR ILS will be set to operate in either standalone mode or with the footswitch, while the slave products will be set to operate in slave mode. Once set and connected, the slave products will operate as directed by the 4BAR ILS.

Expansion Mode (wired)

For wired Expansion mode, configure the products as indicated below.

Slave products:

1. Set the slave products to 3-channel mode, **3Ch**.
2. Set the DMX address of each slave product to correspond with the pod on the 4BAR ILS being synchronized with, as follows:
 - For pod 1, set the address to **1**.
 - For pod 2, set the address to **7**.
 - For pod 3, set the address to **13**.
 - For pod 4, set the address to **19**.
3. Connect the DMX input of the first slave product to the DMX output of the 4BAR ILS.
4. Connect the DMX input of the subsequent slave products to the DMX output of the previous slave product.
5. Finish setting and connecting all the slave products.

4BAR ILS:

1. Set the 4BAR ILS to operate in either standalone mode or with the footswitch.
2. Make the 4BAR ILS the first product in the DMX daisy chain.
 - **Configure all the slave products before connecting the master to the daisy chain.**
 - **Never connect a DMX controller to a DMX string configured for Master/Slave operation because the controller may interfere with the signals from the master.**
 - **Do not connect more than 31 slaves to the master.**



Expansion Mode (D-Fi USB)

For D-Fi USB Expansion mode, configure the products as indicated below.

Slave products:

1. Set the slave products to 3-channel mode, **3Ch**.
2. Set the DMX address of each slave product to correspond with the pod on the 4BAR ILS being synchronized with, as follows:
 - For pod 1, set the address to **1**.
 - For pod 2, set the address to **7**.
 - For pod 3, set the address to **13**.
 - For pod 4, set the address to **19**.
3. Set each D-Fi USB to receive on a specific channel, **1–16**. (Use the [D-Fi USB DIP Switch Channels](#) image for help)
4. Plug the D-Fi USB products into the slave products.
5. Finish setting and configuring all the slave products.

4BAR ILS:

1. Set the 4BAR USB to operate in either standalone mode or with the footswitch.
2. Set the D-Fi USB to transmit on the same D-Fi channel as the slaves. (Use the [D-Fi USB DIP Switch Channels](#) image for help)
3. Plug in the D-Fi USB.
 - **All products must be set to the same DMX personality and D-Fi channel.**
 - **Configure all the slave products to receive before configuring the master to transmit.**
 - **Never connect a DMX controller to a D-Fi channel configured for Master/Slave operation because the controller may interfere with the signals from the master.**



ILS Mode

ILS (Integrated Lighting System) provides 4 modes that synchronize with the GigBAR MOVE+ILS: Modes 1 and 3 synchronize with side 1 of the GigBAR MOVE+ILS, whereas modes 2 and 4 synchronize with side 2 of the GigBAR MOVE+ILS. When linked, effects will sync with the most similar effect on the selected side of the GigBAR MOVE+ILS: Kinta effects will sync with one of the kintas, moving heads will sync with one of the moving heads, and wash effects will sync with one of the pars. Laser effects will sync with the laser, and strobe effects will sync with the strobe effects regardless of ILS mode.

This product will synchronize with the wash effect on the selected par of the GigBAR MOVE+ILS.

To set the 4BAR ILS to respond to an ILS signal:

1. Press **<MENU>** repeatedly until **iLS_** shows on the display.
2. Use **<UP>** or **<DOWN>** to select from **iLS1–iLS4**.
3. Press **<ENTER>**.

5. Maintenance

Product Maintenance

Dust build-up reduces light output performance and can cause overheating. This can lead to reduction of the light source's life and/or mechanical wear. To maintain optimum performance and minimize wear, clean the lighting products at least twice a month. However, be aware that usage and environmental conditions could be contributing factors to increase the cleaning frequency.

To clean the product, follow the instructions below:

1. Unplug the product from power.
2. Wait until the product is at room temperature.
3. Use a vacuum (or dry compressed air) and a soft brush to remove dust collected on the external surface/vents.
4. Clean all transparent surfaces with a mild soap solution, ammonia-free glass cleaner, or isopropyl alcohol.
5. Apply the solution directly to a soft, lint free cotton cloth or a lens cleaning tissue.
6. Softly drag any dirt or grime to the outside of the transparent surface.
7. Gently polish the transparent surfaces until they are free of haze and lint.



Always dry the transparent surfaces carefully after cleaning them.

6. Technical Specifications

Dimensions and Weight

	Length	Width	Height	Weight
4BAR ILS	43.3 in (1,100 mm)	2 in (50 mm)	10.5 in (267 mm)	11 lb (5 kg)
Wireless Footswitch	12.4 in (315 mm)	5.2 in (132 mm)	1.5 in (38 mm)	1.2 lb (0.6 kg)

Note: Dimensions in inches rounded to the nearest decimal digit.

Power

Power Supply Type	Range	Voltage Selection
Switching (internal)	100 to 240 VAC, 50/60 Hz	Auto-ranging
Parameter	120 V, 60 Hz	230 V, 50 Hz
Consumption	29 W	27 W
Operating current	0.4 A	0.2 A
Fuse	1.6 A, 250 V	1.6 A, 250 V
Power I/O	U.S./Worldwide	UK/Europe
Power input connector	IEC	IEC
Power cord plug	Edison (U.S.)	Local plug

Light Source

Type	Color	Quantity	Power	Current	Lifespan
LED	Tri-color RGB	440	0.25 W	1 A	100,000 hours

Photometrics

Strobe Rate	Beam Angle	Field Angle	Illuminance @ 2 m
0 to 19.9 Hz	17°	24°	786 lux (per pod)

Thermal

Maximum External Temperature	Cooling System
104 °F (40 °C)	Convection

DMX

I/O Connector	Channel Range	Optional Controllers
3-pin XLR	3, 5, or 15	IRC-6, D-Fi USB

Ordering

Product Name	Item Code	UPC Number
4BAR ILS	10032004	781462223526



Contact Us

General Information	Technical Support
Chauvet World Headquarters	
Address: 3360 Davie Rd. Davie, FL 33314 Voice: (954) 577-4455 Fax: (954) 929-5560 Toll Free: (800) 762-1084	Voice: (844) 393-7575 Fax: (954) 756-8015 Email: chauvetcs@chauvetlighting.com Website: www.chauvetdj.com
Chauvet U.K.	
Address: Pod 1 EVO Park Little Oak Drive, Sherwood Park Nottinghamshire, NG15 0EB UK Voice: +44 (0) 1773 511115 Fax: +44 (0) 1773 511110	Email: UKtech@chauvetlighting.eu Website: www.chauvetdj.eu
Chauvet Benelux	
Address: Stokstraat 18 9770 Kruishoutem Belgium Voice: +32 9 388 93 97	Email: BNLtech@chauvetlighting.eu Website: www.chauvetdj.eu
Chauvet France	
Address: 3, Rue Ampère 91380 Chilly-Mazarin France Voice: +33 1 78 85 33 59	Email: FRtech@chauvetlighting.fr Website: www.chauvetdj.eu
Chauvet Germany	
Address: Bruno-Bürgel-Str. 11 28759 Bremen Germany Voice: +49 421 62 60 20	Email: DEtech@chauvetlighting.de Website: www.chauvetdj.eu
Chauvet Mexico	
Address: Av. de las Partidas 34 - 3B (Entrance by Calle 2) Zona Industrial Lerma Lerma, Edo. de México, CP 52000 Voice: +52 (728) 690-2010	Email: servicio@chauvet.com.mx Website: www.chauvetdj.mx

Warranty & Returns

For warranty terms and conditions and return information, please visit our website.

For customers in the United States and Mexico: www.chauvetlighting.com/warranty-registration.

For customers in the United Kingdom, Republic of Ireland, Belgium, the Netherlands, Luxembourg, France, and Germany: www.chauvetlighting.eu/warranty-registration.